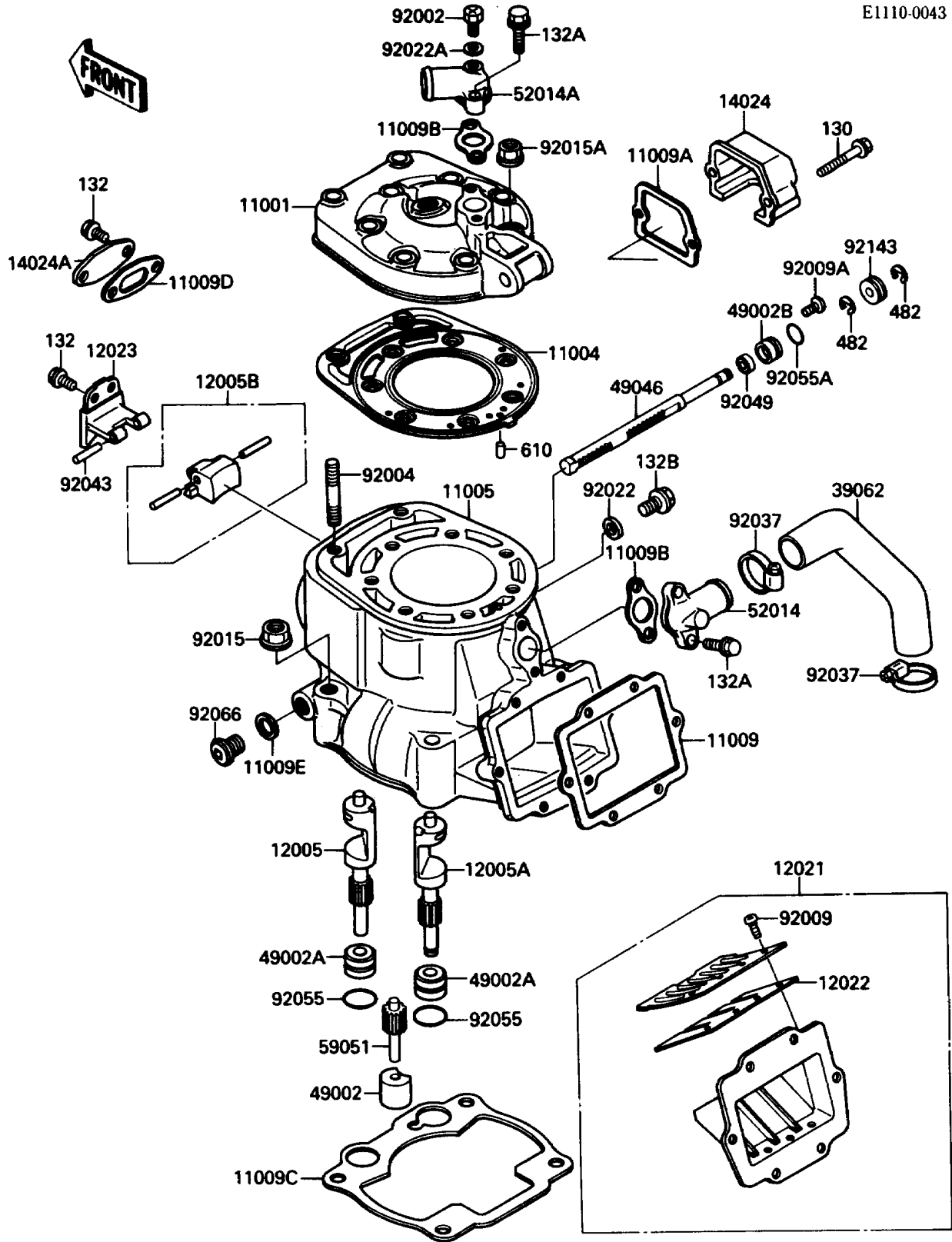


1988 KX™ 250 PARTS DIAGRAM

Cylinder Head/Cylinder

E1110-0043



1988 KX™ 250 PARTS LIST

Cylinder Head/Cylinder

ITEM NAME	PART NUMBER	QUANTITY
HEAD-CYLINDER (Ref # 11001)	11001-1268	1
GASKET-HEAD (Ref # 11004)	11004-1174	1
CYLINDER-ENGINE (Ref # 11005)	11005-1542	1
GASKET, REED VALVE (Ref # 11009)	11009-1252	1
GASKET, GOVERNOR COVER (Ref # 11009A)	11009-1625	1
GASKET, ELBOW (Ref # 11009B)	11009-1696	2
GASKET, CYLINDER BASE (Ref # 11009C)	11009-1700	1
GASKET, VALVE COVER (Ref # 11009D)	11009-1701	1
GASKET, 12.5X18X1, DRAIN PLUG (Ref # 11009E)	92065-073	1
VALVE-EXHAUST, LH (Ref # 12005)	12005-1099	1
VALVE-EXHAUST, RH (Ref # 12005A)	12005-1100	1
VALVE-EXHAUST, CENTER (Ref # 12005B)	12005-1116	1
VALVE-ASSY-REED (Ref # 12021)	12021-1077	1
VALVE-REED (Ref # 12022)	12022-1060	2
HOLDER-VALVE (Ref # 12023)	12023-1055	1
COVER, GOVERNOR (Ref # 14024)	14024-1585	1
COVER, CENTER VALVE (Ref # 14024A)	14024-1588	1
HOSE-COOLING (Ref # 39062)	39062-1105	1
GUIDE-VALVE, IDLE GEAR (Ref # 49002)	49002-1084	1
GUIDE-VALVE (Ref # 49002A)	49002-1085	2
GUIDE-VALVE (Ref # 49002B)	49002-1087	1
ROD-GOVERNOR (Ref # 49046)	49046-1063	1
ELBOW (Ref # 52014)	52014-1063	1
ELBOW (Ref # 52014A)	52014-1064	1
GEAR-SPUR, IDLE (Ref # 59051)	59051-1194	1
BOLT, 6X10 (Ref # 92002)	92002-1222	1
STUD, 8X35 (Ref # 92004)	92004-1009	9
SCREW, 3X6 (Ref # 92009)	92009-1371	8
SCREW, 5X10 (Ref # 92009A)	92009-1502	1

1988 KX™ 250 PARTS LIST

Cylinder Head/Cylinder

ITEM NAME	PART NUMBER	QUANTITY
NUT,FLANGED,10MM (Ref # 92015)	92015-077	4
NUT,8MM (Ref # 92015A)	92015-1143	9
WASHER,8.2X14X1.0 (Ref # 92022)	92022-1488	1
WASHER,6.2X11X1 (Ref # 92022A)	92022-304	1
CLAMP,COOLING HOSE (Ref # 92037)	92037-1589	2
PIN,4X23.8 (Ref # 92043)	92043-1373	1
SEAL-OIL,RSO-5.5X11X4 (Ref # 92049)	92049-1206	1
RING-O,17.5X1.5 (Ref # 92055)	92055-022	2
RING-O,11.5X1.5 (Ref # 92055A)	92055-1387	1
PLUG,12X10 (Ref # 92066)	92066-1222	1
COLLAR (Ref # 92143)	92143-1056	1
BOLT-FLANGED (Ref # 130)	130G0535	2
BOLT-FLANGED-SMALL (Ref # 132)	132G0616	4
BOLT-FLANGED-SMALL (Ref # 132A)	132G0625	4
BOLT-FLANGED-SMALL (Ref # 132B)	132G0810	1
CIRCLIP-TYPE-E,4MM (Ref # 482)	482J4000	2
ROLLER,4X8 (Ref # 610)	610A0408	1