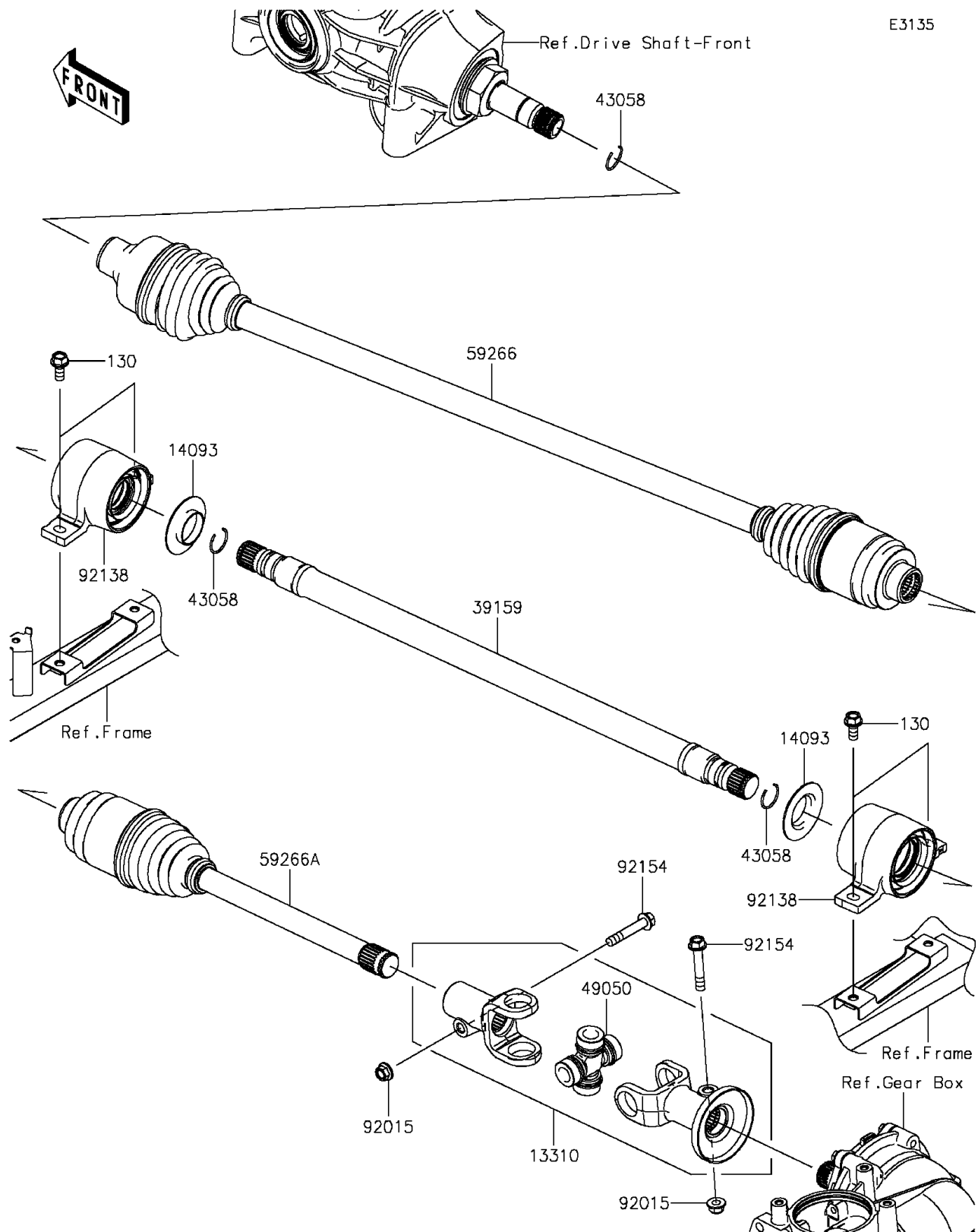


2016 MULE PRO-FX™ EPS LE

PARTS DIAGRAM

Drive Shaft-Propeller



2016 MULE PRO-FX™ EPS LE

PARTS LIST

Drive Shaft-Propeller

| ITEM NAME | PART NUMBER | QUANTITY |
|---------------------------------------|-------------|----------|
| BOLT-FLANGED,8X18 (Ref # 130) | 130BA0818 | 4 |
| SHAFT-ASSY (Ref # 13310) | 13310-0038 | 1 |
| COVER,SIDE RIP (Ref # 14093) | 14093-0006 | 2 |
| SHAFT-DRIVE (Ref # 39159) | 39159-0045 | 1 |
| RING (Ref # 43058) | 43058-0018 | 3 |
| SPIDER (Ref # 49050) | 49050-0034 | 1 |
| JOINT-BALL,FR DIFF SIDE (Ref # 59266) | 59266-0713 | 1 |
| JOINT-BALL,T/M SIDE (Ref # 59266A) | 59266-0714 | 1 |
| NUT,8MM (Ref # 92015) | 92015-1432 | 2 |
| BEARING-COMP (Ref # 92138) | 92138-0002 | 2 |
| BOLT,FLANGED,8X46 (Ref # 92154) | 92154-1365 | 2 |