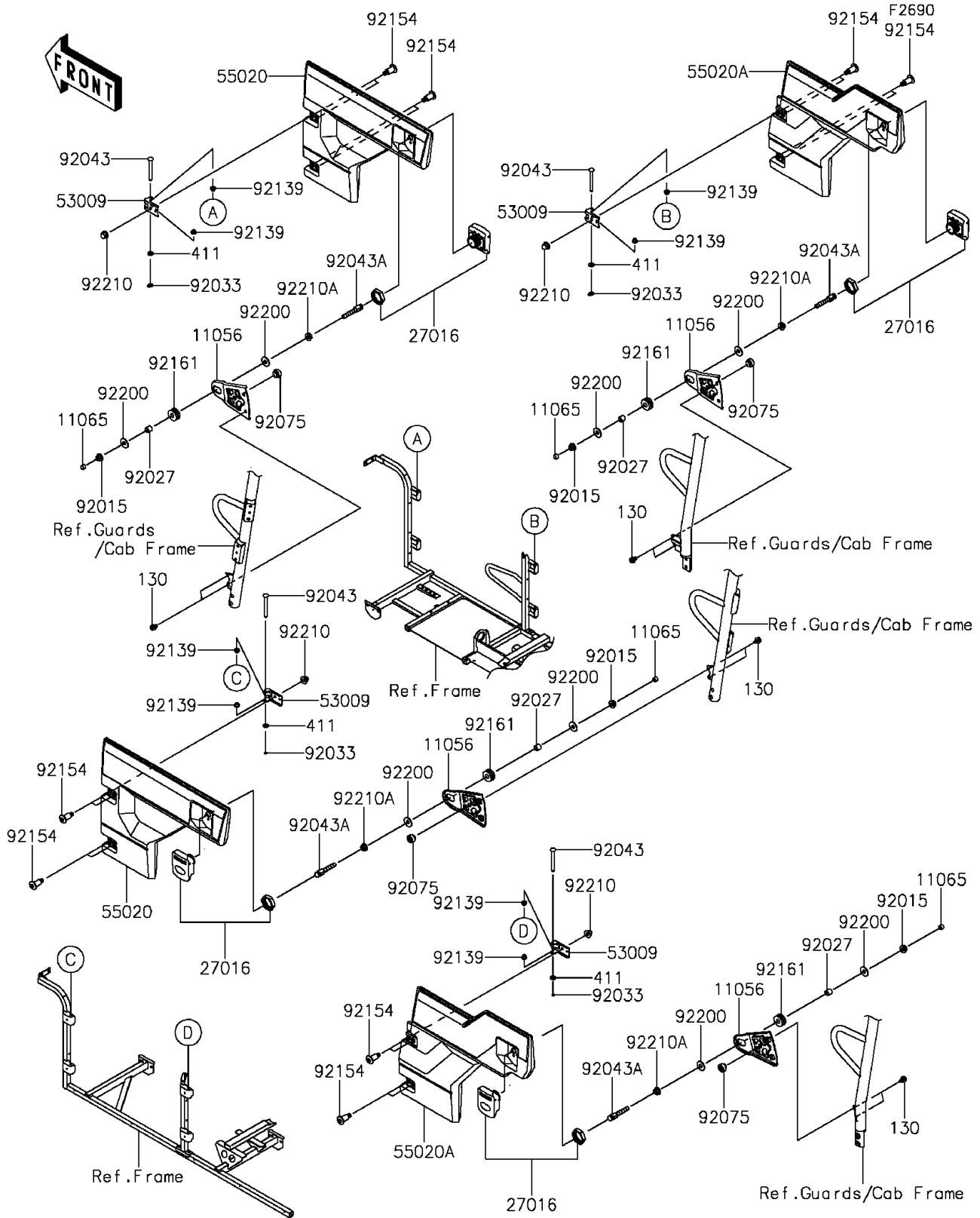


# 2015 MULE PRO-FXT™ EPS LE PARTS DIAGRAM

Door



# 2015 MULE PRO-FXT™ EPS LE PARTS LIST

Door

ITEM NAME	PART NUMBER	QUANTITY
-----------	-------------	----------