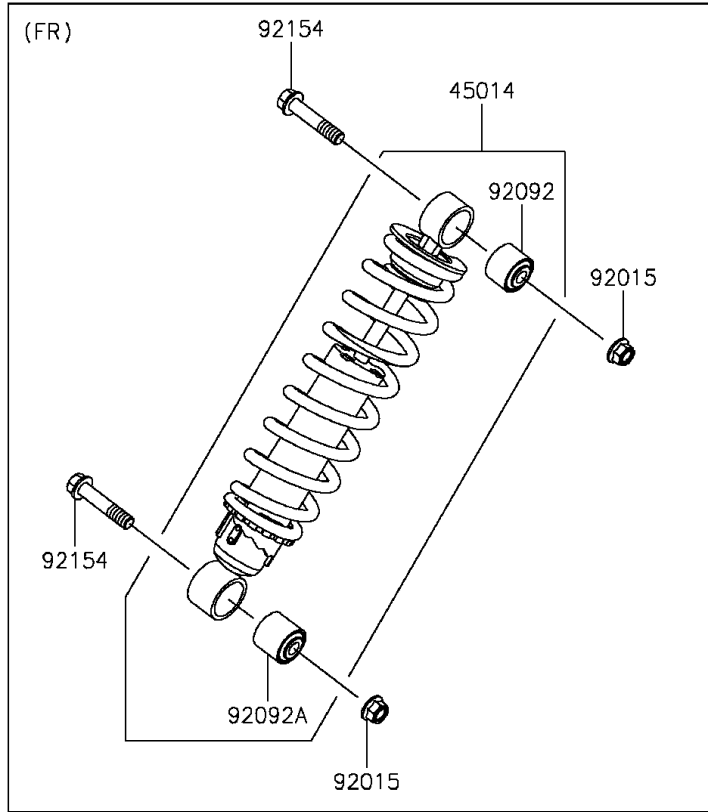
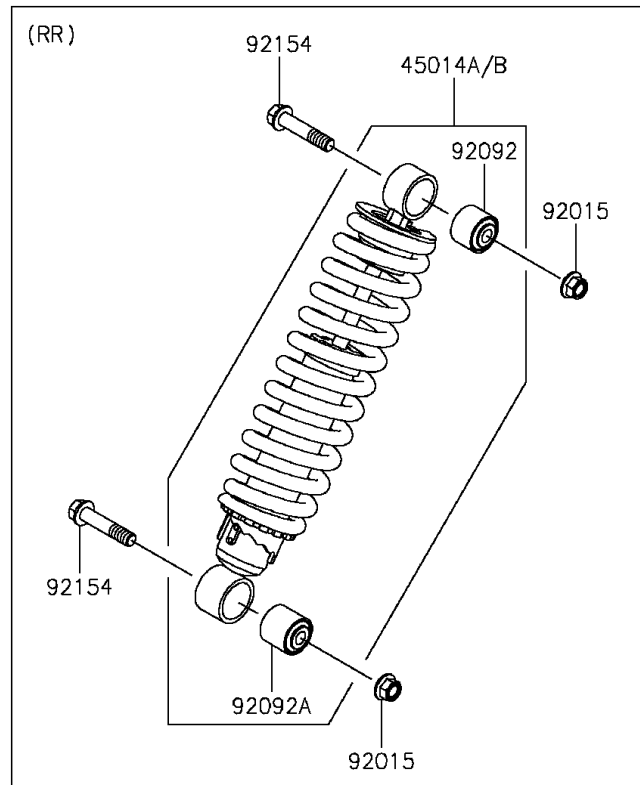


# 2015 MULE PRO-FXT™ EPS LE PARTS DIAGRAM

Shock Absorber(s)



F2280



# 2015 MULE PRO-FXT™ EPS LE PARTS LIST

Shock Absorber(s)

ITEM NAME	PART NUMBER	QUANTITY
-----------	-------------	----------