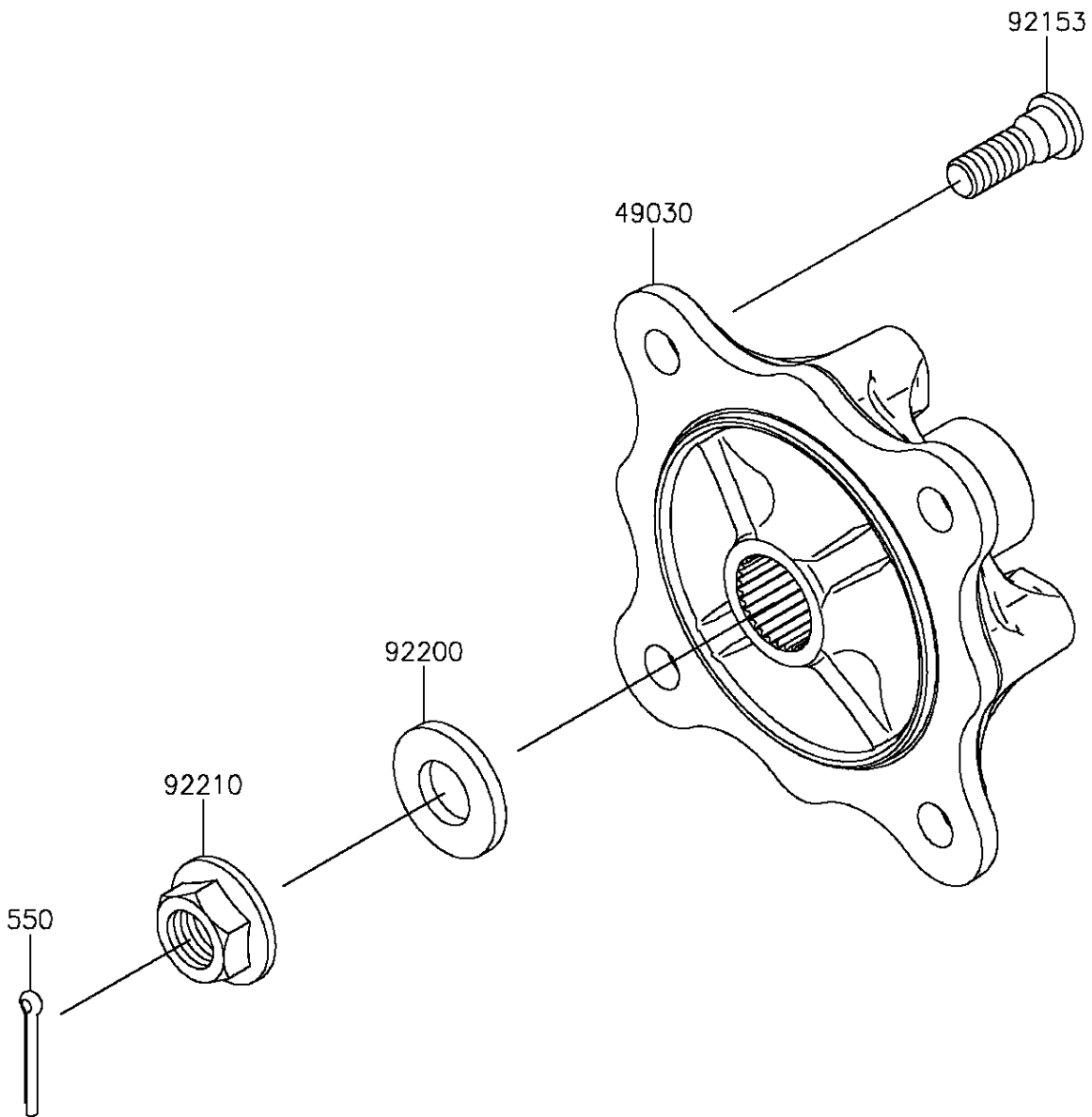


2015 MULE PRO-FXT™ EPS LE PARTS DIAGRAM

Rear Hubs/Brakes

F2240



2015 MULE PRO-FXT™ EPS LE PARTS LIST

Rear Hubs/Brakes

ITEM NAME	PART NUMBER	QUANTITY
-----------	-------------	----------