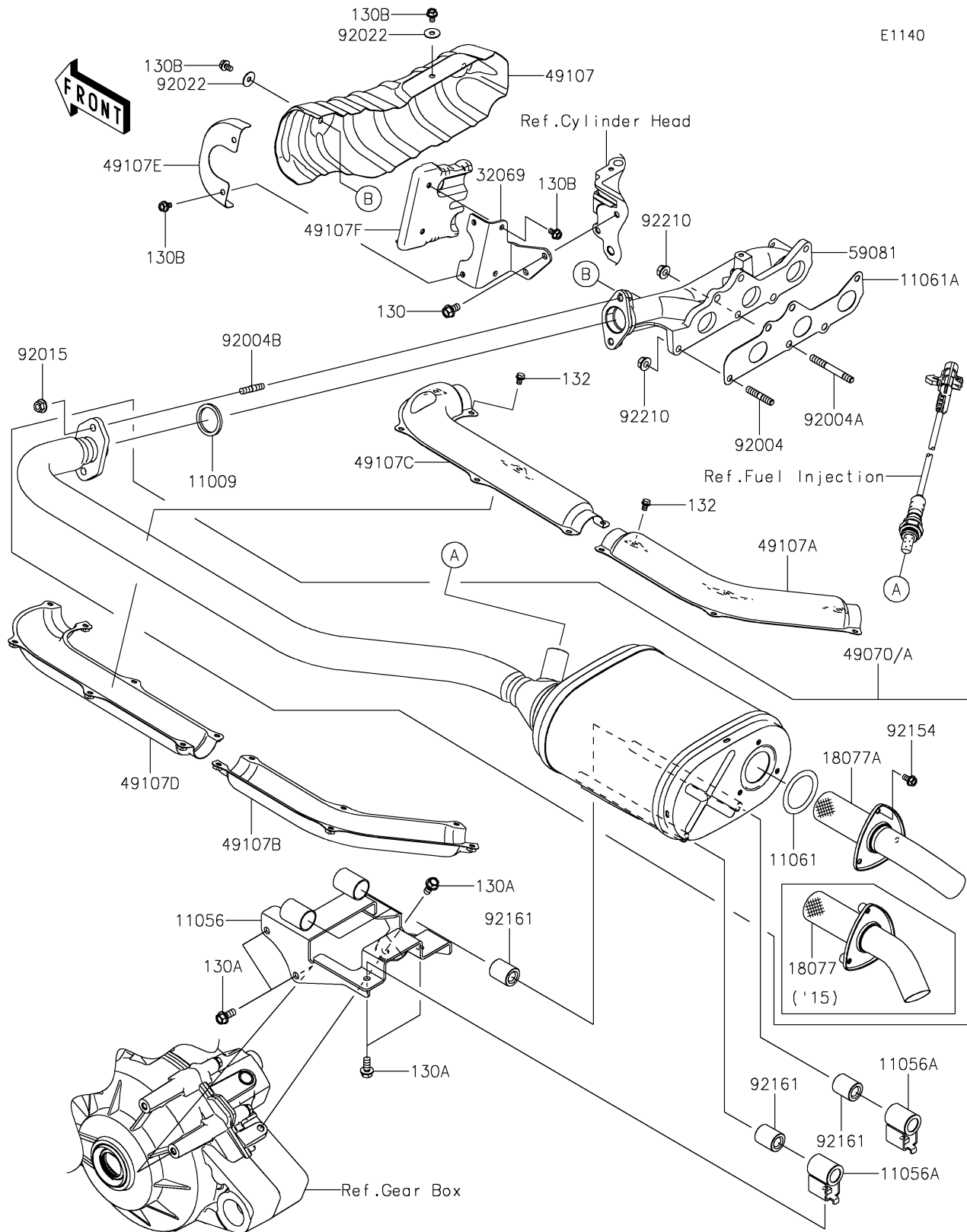


# 2016 MULE PRO-FXT™ PARTS DIAGRAM

## Muffler(s)



## 2016 MULE PRO-FXT™ PARTS LIST

### Muffler(s)

| ITEM NAME                                | PART NUMBER | QUANTITY |
|------------------------------------------|-------------|----------|
| GASKET,EXHAUST HOLDER (Ref # 11009)      | 11009-1894  | 1        |
| BRACKET,MUFFLER MOUNT (Ref # 11056)      | 11056-4394  | 1        |
| BRACKET (Ref # 11056A)                   | 11056-4440  | 2        |
| GASKET,EXHAUST PIPE (Ref # 11061)        | 11061-0013  | 1        |
| GASKET (Ref # 11061A)                    | 11061-0960  | 1        |
| BOLT-FLANGED,8X14 (Ref # 130)            | 130BA0814   | 2        |
| BOLT-FLANGED,8X18 (Ref # 130A)           | 130BA0818   | 5        |
| BOLT-FLANGED,6X10 (Ref # 130B)           | 130BD0610   | 7        |
| BOLT-FLANGED-SMALL,6X8 (Ref # 132)       | 132BD0608   | 13       |
| ARRESTER-SPARK (Ref # 18077A)            | 18077-0041  | 1        |
| BRACKET-MUFFLER (Ref # 32069)            | 32069-0894  | 1        |
| MUFFLER-COMP (Ref # 49070A)              | 49070-0814  | 1        |
| COVER-EXHAUST PIPE (Ref # 49107)         | 49107-0767  | 1        |
| COVER-EXHAUST PIPE,RR,UPP (Ref # 49107A) | 49107-0771  | 1        |
| COVER-EXHAUST PIPE,RR,LWR (Ref # 49107B) | 49107-0772  | 1        |
| COVER-EXHAUST PIPE,FR,UPP (Ref # 49107C) | 49107-0773  | 1        |
| COVER-EXHAUST PIPE,FR,LWR (Ref # 49107D) | 49107-0774  | 1        |
| COVER-EXHAUST PIPE (Ref # 49107E)        | 49107-0838  | 1        |
| COVER-EXHAUST PIPE (Ref # 49107F)        | 49107-0839  | 1        |
| MANIFOLD-EXHAUST (Ref # 59081)           | 59081-0235  | 1        |
| STUD (Ref # 92004)                       | 92004-0735  | 5        |
| STUD (Ref # 92004A)                      | 92004-0736  | 1        |
| STUD,8X25 (Ref # 92004B)                 | 92004-1214  | 2        |
| NUT,8MM (Ref # 92015)                    | 92015-1402  | 2        |
| WASHER,PLAIN,6MM (Ref # 92022)           | 92022-165   | 3        |
| BOLT,FLANGED,6X12 (Ref # 92154)          | 92154-0852  | 3        |
| DAMPER (Ref # 92161)                     | 92161-0961  | 4        |
| NUT (Ref # 92210)                        | 92210-0944  | 6        |