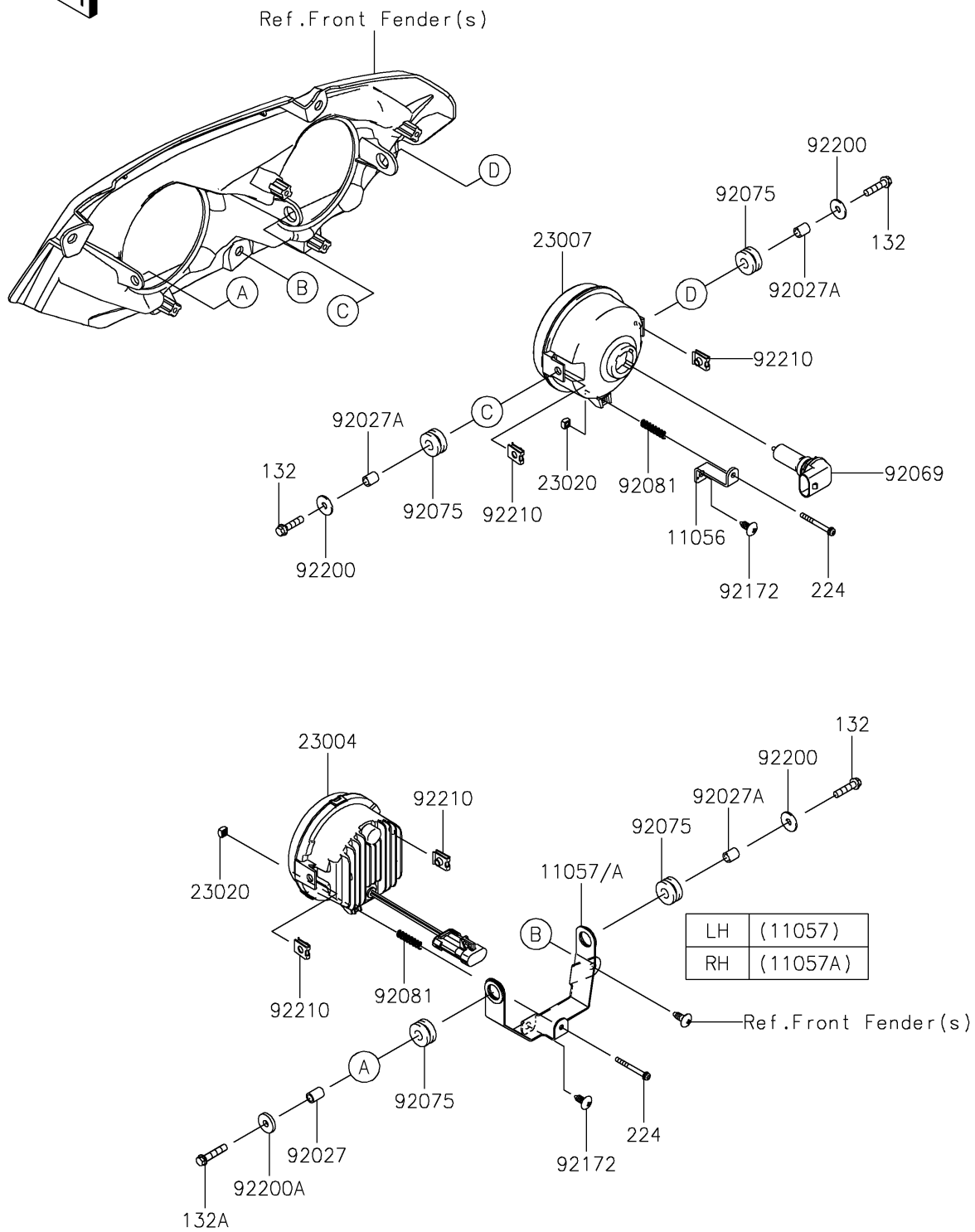


## 2020 MULE PRO-FXT™ RANCH EDITION PARTS DIAGRAM

Headlight(s)

F2710



## 2020 MULE PRO-FXT™ RANCH EDITION PARTS LIST

Headlight(s)

| ITEM NAME                            | PART NUMBER | QUANTITY |
|--------------------------------------|-------------|----------|
| BRACKET (Ref # 11056)                | 11056-2933  | 1        |
| BRACKET,LED HL,LH (Ref # 11057)      | 11057-0755  | 1        |
| BRACKET,LED HL,RH (Ref # 11057A)     | 11057-0783  | 1        |
| BOLT-FLANGED-SMALL,6X25 (Ref # 132)  | 132BA0625   | 1        |
| BOLT-FLANGED-SMALL,6X30 (Ref # 132A) | 132BA0630   | 1        |
| SCREW-PAN-WP-CROS (Ref # 224)        | 224AA0440   | 1        |
| LAMP-HEAD (Ref # 23004)              | 23004-0372  | 1        |
| LENS-COMP,HEAD LAMP (Ref # 23007)    | 23007-0096  | 1        |
| NUT,4MM,FOCUS ADJUST (Ref # 23020)   | 23020-018   | 1        |
| COLLAR,6.8X10X14.5 (Ref # 92027)     | 92027-156   | 1        |
| COLLAR,6.8X10X12 (Ref # 92027A)      | 92027-162   | 1        |
| BULB,12V 35/35W (Ref # 92069)        | 92069-0019  | 1        |
| DAMPER,10X24X12 (Ref # 92075)        | 92075-1690  | 1        |
| SPRING,FOCUS ADJUST (Ref # 92081)    | 92081-1896  | 1        |
| SCREW,6X16 (Ref # 92172)             | 92172-0284  | 1        |
| WASHER,6.5X20X1.6 (Ref # 92200)      | 92200-0283  | 1        |
| WASHER,6.5X20X3.2 (Ref # 92200A)     | 92200-0359  | 1        |
| NUT (Ref # 92210)                    | 92210-1125  | 1        |