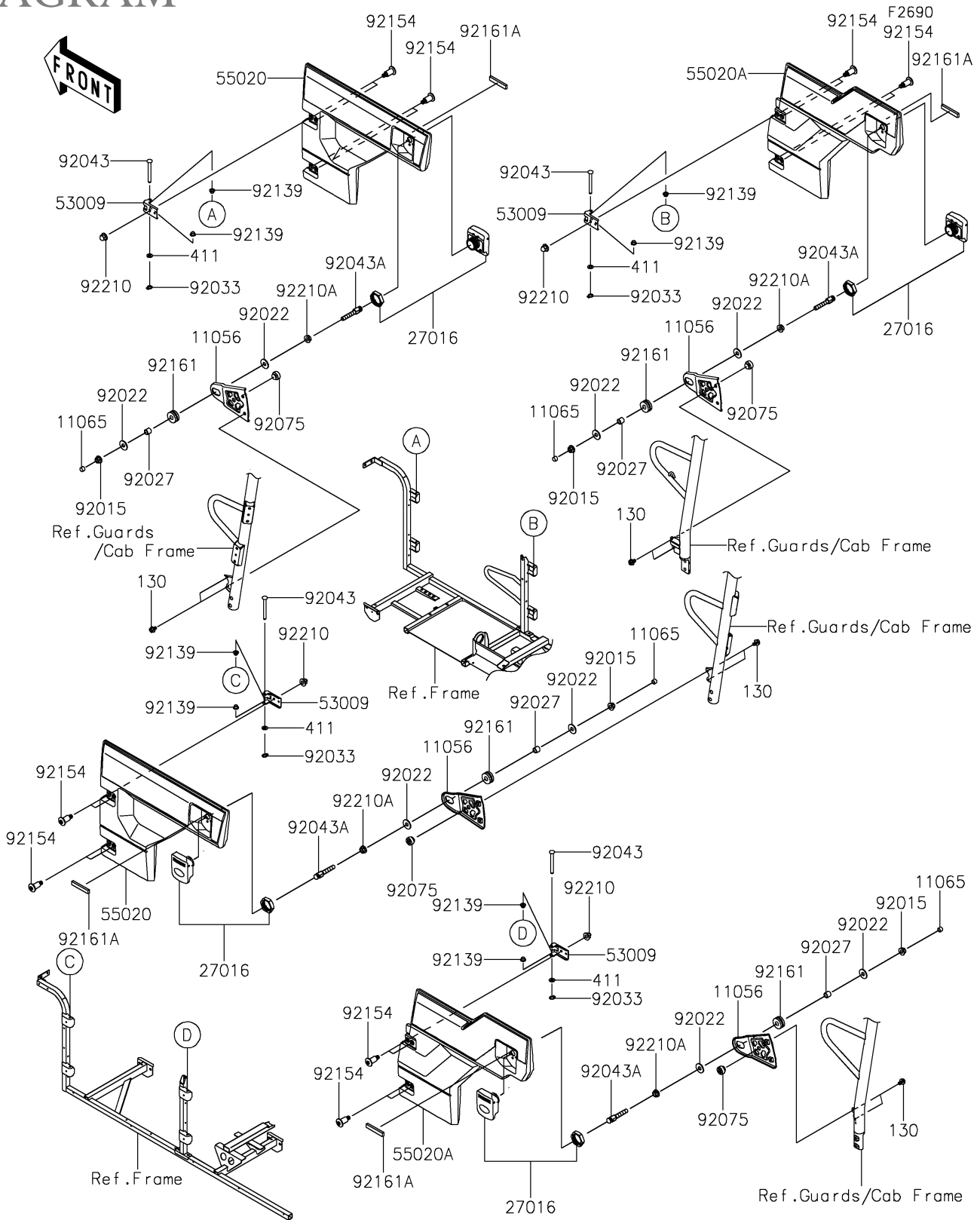


2020 MULE PRO-FXT™ RANCH EDITION PARTS DIAGRAM



2020 MULE PRO-FXT™ RANCH EDITION PARTS LIST

Door

ITEM NAME	PART NUMBER	QUANTITY
BRACKET,DOOR GUARD (Ref # 11056)	11056-2856	1
CAP (Ref # 11065)	11065-7504	1
BOLT-FLANGED,6X10 (Ref # 130)	130BA0610	1
LOCK-ASSY (Ref # 27016)	27016-0084	1
WASHER-PLAIN,6MM (Ref # 411)	411AB0600	1
HINGE (Ref # 53009)	53009-0303	1
GUARD,FR,F.BLACK (Ref # 55020)	55020-0936-6Z	1
GUARD,RR,F.BLACK (Ref # 55020A)	55020-0937-6Z	1
NUT,8MM (Ref # 92015)	92015-1432	1
WASHER,PLAIN (Ref # 92022)	92022-3026	1
COLLAR,8.8X12X10.7 (Ref # 92027)	92027-102	1
RING-SNAP (Ref # 92033)	92033-0719	1
PIN,6X56 (Ref # 92043)	92043-0743	1
PIN,DOOR LOCK (Ref # 92043A)	92043-0788	1
DAMPER (Ref # 92075)	92075-1598	1
BUSHING,6X8X6 (Ref # 92139)	92139-0709	1
BOLT,SOCKET,8X30 (Ref # 92154)	92154-1369	1
DAMPER,10X26X11.5 (Ref # 92161)	92161-1691	1
DAMPER,9X52X5 (Ref # 92161A)	92161-1837	1
NUT,CAP,8MM (Ref # 92210)	92210-0488	1
NUT,FLANGED,8MM (Ref # 92210A)	92210-0555	1