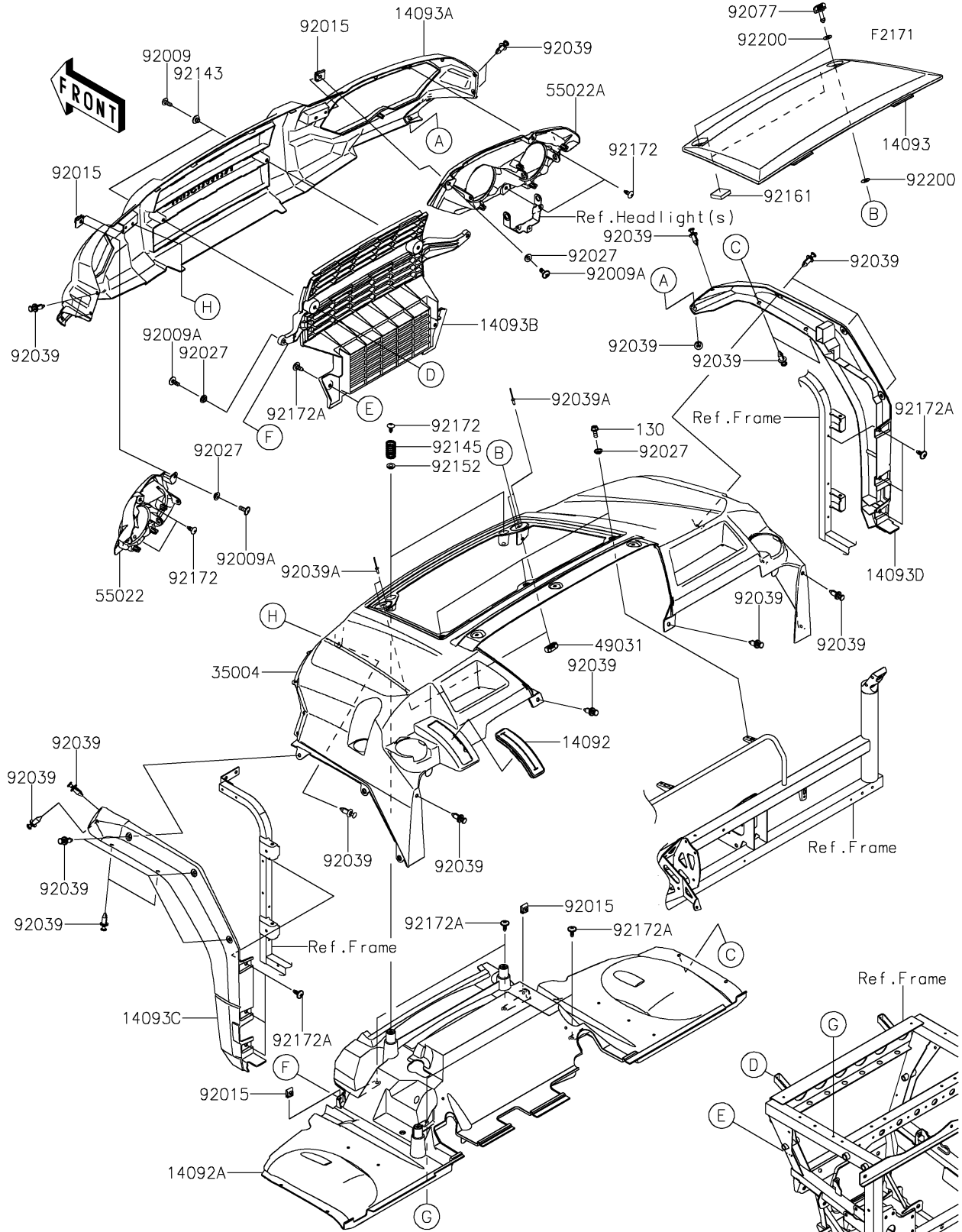


## 2020 MULE PRO-FXT™ RANCH EDITION PARTS DIAGRAM

Front Fender(s)



## 2020 MULE PRO-FXT™ RANCH EDITION PARTS LIST

Front Fender(s)

ITEM NAME	PART NUMBER	QUANTITY
BOLT-FLANGED,6X16 (Ref # 130)	130CA0616	1
COVER,CENTER CONSOLE,TOP (Ref # 14092)	14092-0791	1
COVER,TOP,FR INNER (Ref # 14092A)	14092-1194	1
COVER,OPEN,M.P.SILVER (Ref # 14093)	14093-0019-IS	1
COVER,FR GRILLE,M.P.SILVER (Ref # 14093A)	14093-0583-IS	1
COVER,RADIATOR (Ref # 14093B)	14093-0584	1
COVER,SIDE,LH (Ref # 14093C)	14093-0596	1
COVER,SIDE,RH (Ref # 14093D)	14093-0597	1
FENDER-FRONT,M.P.SILVER (Ref # 35004)	35004-0337-IS	1
LATCH (Ref # 49031)	49031-0008	1
COVER-HEAD LAMP,LH (Ref # 55022)	55022-0322	1
COVER-HEAD LAMP,RH (Ref # 55022A)	55022-0323	1
SCREW,TAPPING,6X16 (Ref # 92009)	92009-1166	1
SCREW,6X16 (Ref # 92009A)	92009-1621	1
NUT,CLAMP,6MM (Ref # 92015)	92015-1678	1
COLLAR,L=4.6 (Ref # 92027)	92027-1168	1
RIVET (Ref # 92039)	92039-0776	1
RIVET,3.2X9.5 (Ref # 92039A)	92039-0785	1
KNOB (Ref # 92077)	92077-0030	1
COLLAR (Ref # 92143)	92143-1057	1
SPRING,17X65 (Ref # 92145)	92145-1727	1
COLLAR (Ref # 92152)	92152-0140	1
DAMPER,40X40X10 (Ref # 92161)	92161-1861	1
SCREW,6X16 (Ref # 92172)	92172-0284	1
SCREW,6X16 (Ref # 92172A)	92172-0711	1
WASHER (Ref # 92200)	92200-0503	1