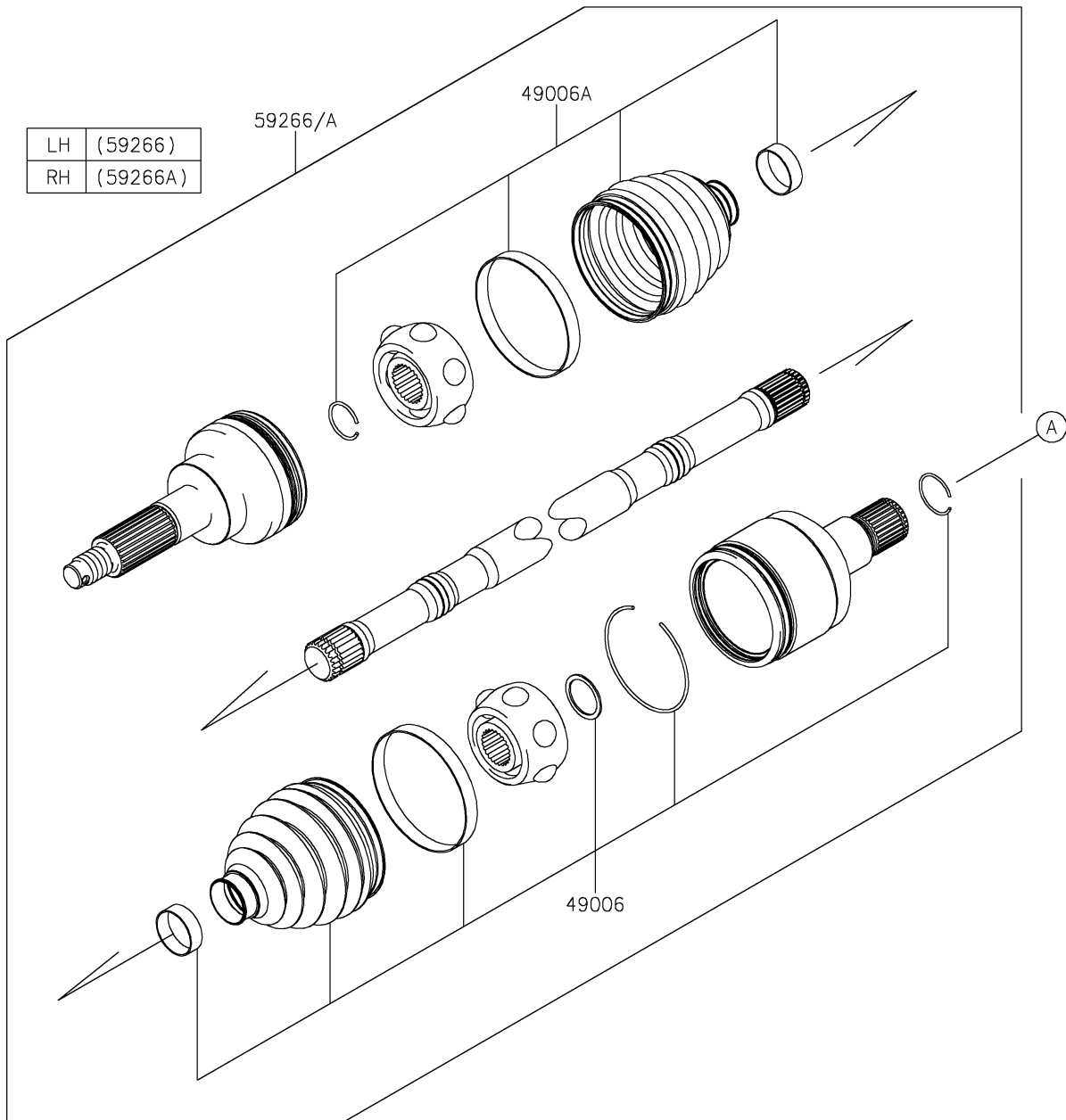
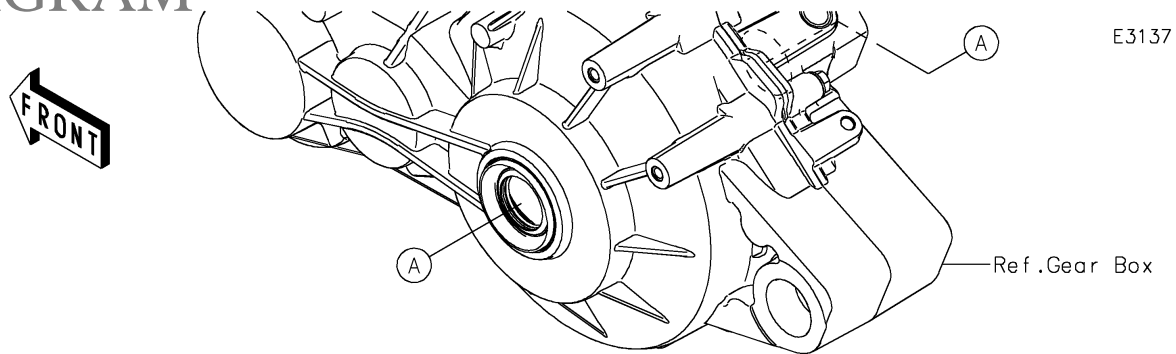


## 2020 MULE PRO-FXT™ RANCH EDITION PARTS

### Drive Shaft Rear DIAGRAM



## 2020 MULE PRO-FXT™ RANCH EDITION PARTS LIST

Drive Shaft-Rear

ITEM NAME	PART NUMBER	QUANTITY
BOOT,INSIDE (Ref # 49006)	49006-0585	1
BOOT,OUTSIDE (Ref # 49006A)	49006-0586	1
JOINT-BALL,RR,LH (Ref # 59266)	59266-0049	1
JOINT-BALL,RR,RH (Ref # 59266A)	59266-0050	1