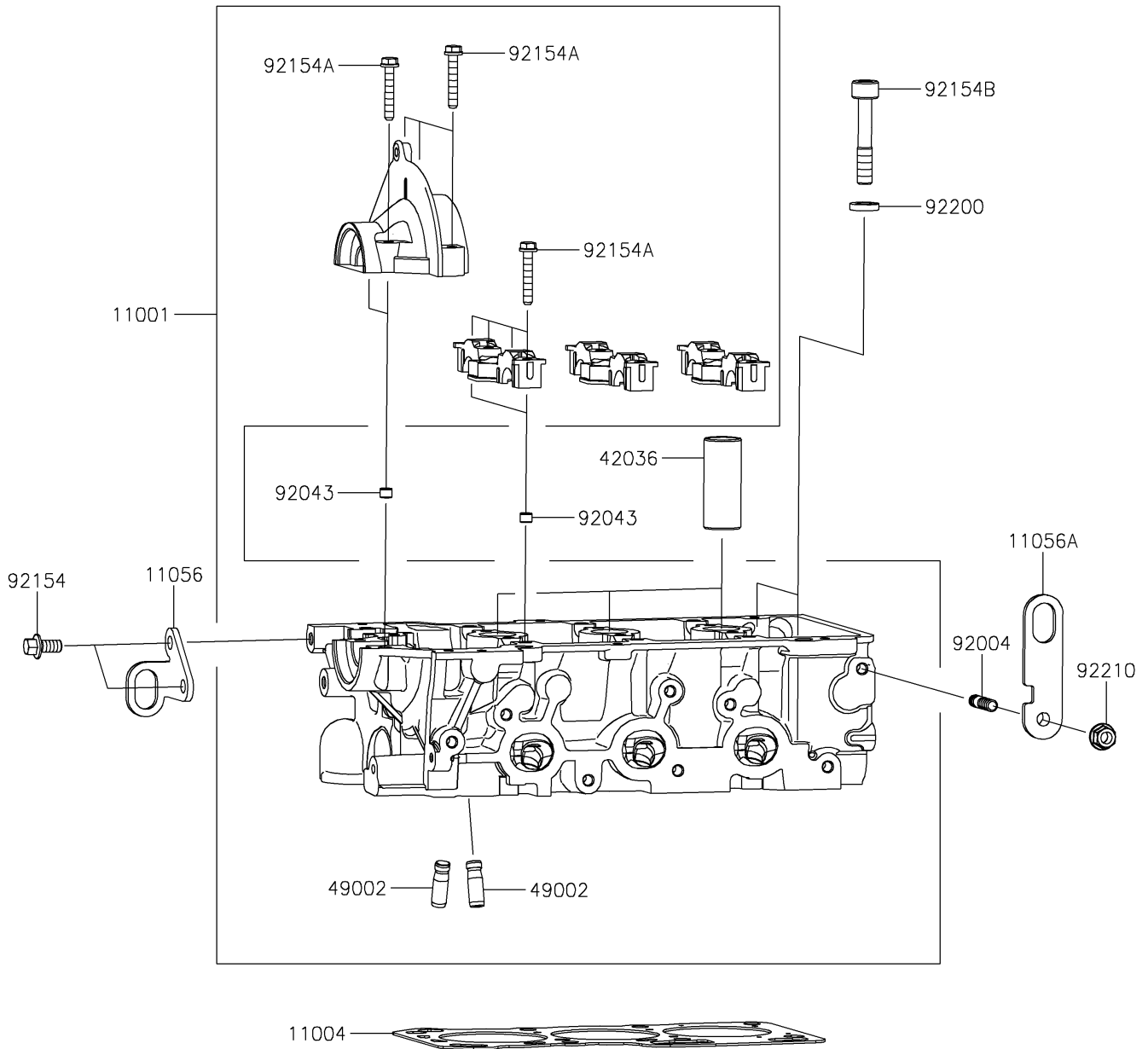


## 2020 MULE PRO-FXT™ RANCH EDITION PARTS DIAGRAM

Cylinder Head

E1111



## 2020 MULE PRO-FXT™ RANCH EDITION PARTS LIST

### Cylinder Head

ITEM NAME	PART NUMBER	QUANTITY
HEAD-CYLINDER (Ref # 11001)	11001-0839	1
GASKET-HEAD (Ref # 11004)	11004-0747	1
BRACKET (Ref # 11056)	11056-7081	1
BRACKET (Ref # 11056A)	11056-7082	1
SLEEVE,SPARK PLUG (Ref # 42036)	42036-0764	1
GUIDE-VALVE (Ref # 49002)	49002-0030	1
STUD (Ref # 92004)	92004-0734	1
PIN (Ref # 92043)	92043-0831	1
BOLT,FLANGED,8X16 (Ref # 92154)	92154-1588	1
BOLT,6X38 (Ref # 92154A)	92154-1589	1
BOLT,SOCKET (Ref # 92154B)	92154-1590	1
WASHER (Ref # 92200)	92200-1683	1
NUT (Ref # 92210)	92210-0944	1