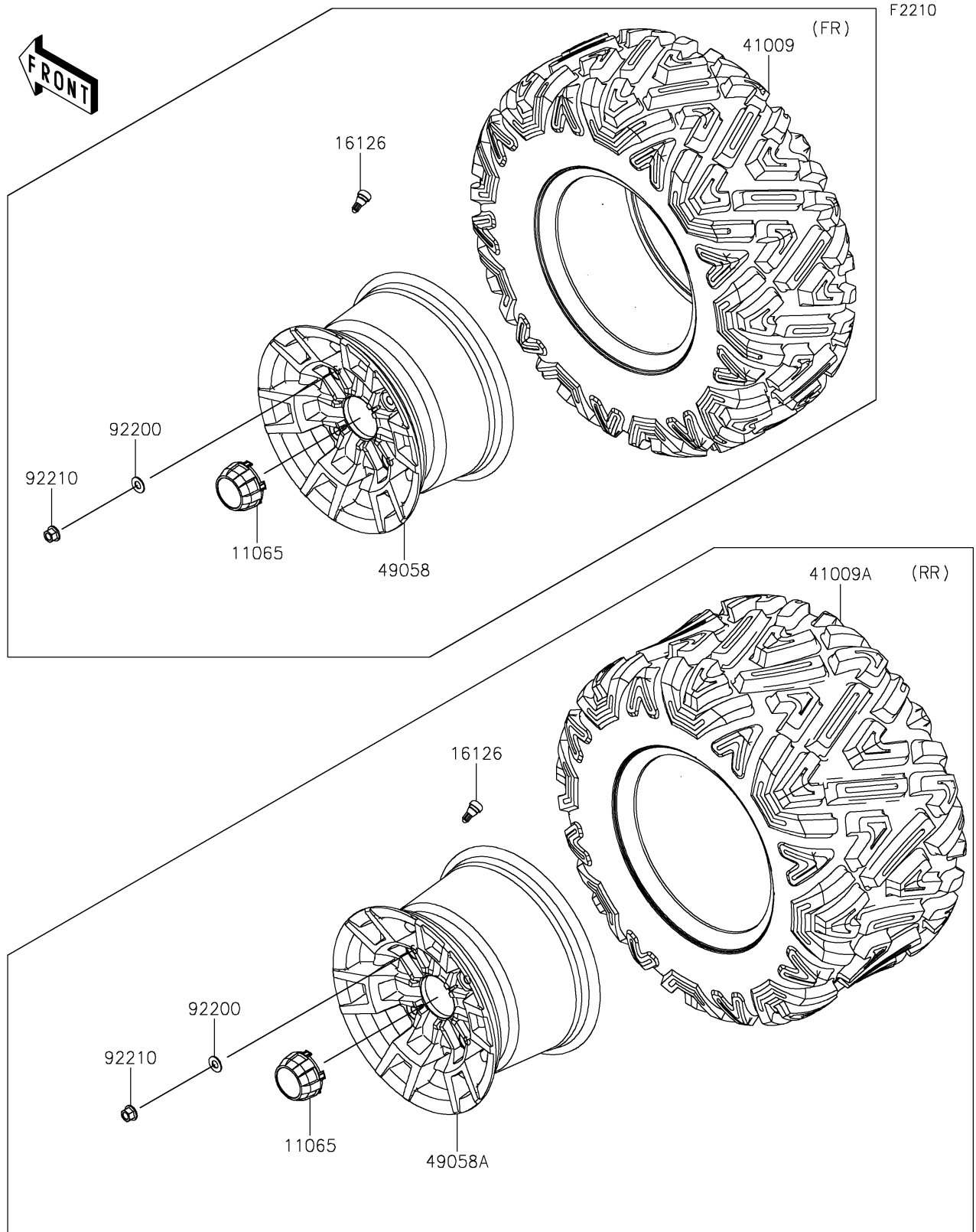


2019 MULE PRO-FXR™ PARTS DIAGRAM

Wheels/Tires



2019 MULE PRO-FXR™ PARTS LIST

Wheels/Tires

| ITEM NAME | PART NUMBER | QUANTITY |
|---|----------------|----------|
| CAP,WHEEL,F.BLACK (Ref # 11065) | 11065-0893-6Z | 1 |
| VALVE (Ref # 16126) | 16126-4001 | 1 |
| TIRE,FR,27X9.00-12 6PR,DURO PG2 (Ref # 41009) | 41009-0723 | 1 |
| TIRE,RR,27X11.00-12 6PR,DURO PG2 (Ref # 41009A) | 41009-0724 | 1 |
| WHEEL,FR,12X7.0AT,AL,BLACK (Ref # 49058) | 49058-0625-31D | 1 |
| WHEEL,RR,12X8.0AT,AL,BLACK (Ref # 49058A) | 49058-0626-31D | 1 |
| WASHER,12.1X25X1.6 (Ref # 92200) | 92200-0455 | 1 |
| NUT,12MM (Ref # 92210) | 92210-0603 | 1 |