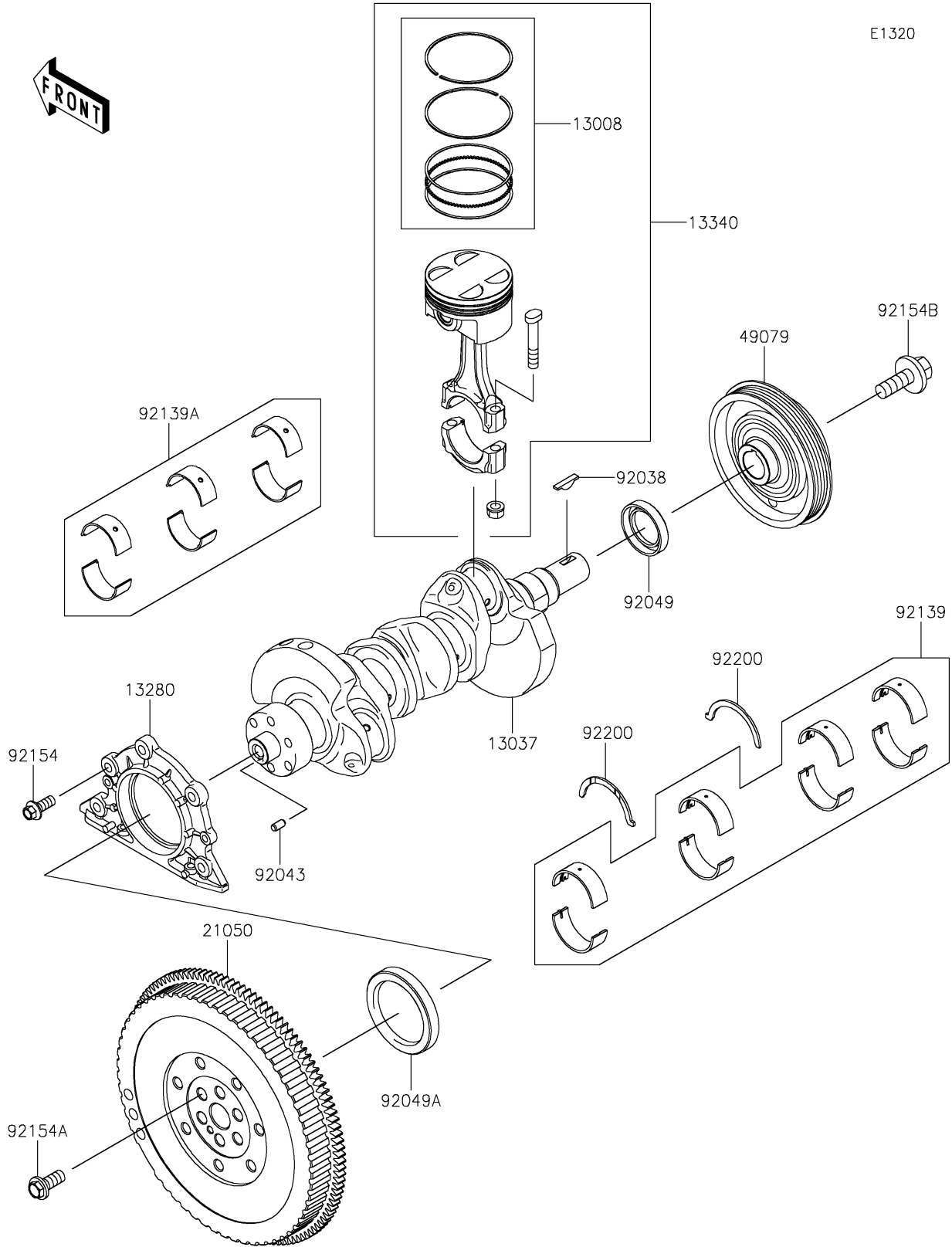


2019 MULE PRO-FXR™ PARTS DIAGRAM

Crankshaft/Piston(s)



2019 MULE PRO-FXR™ PARTS LIST

Crankshaft/Piston(s)

ITEM NAME	PART NUMBER	QUANTITY
-----------	-------------	----------