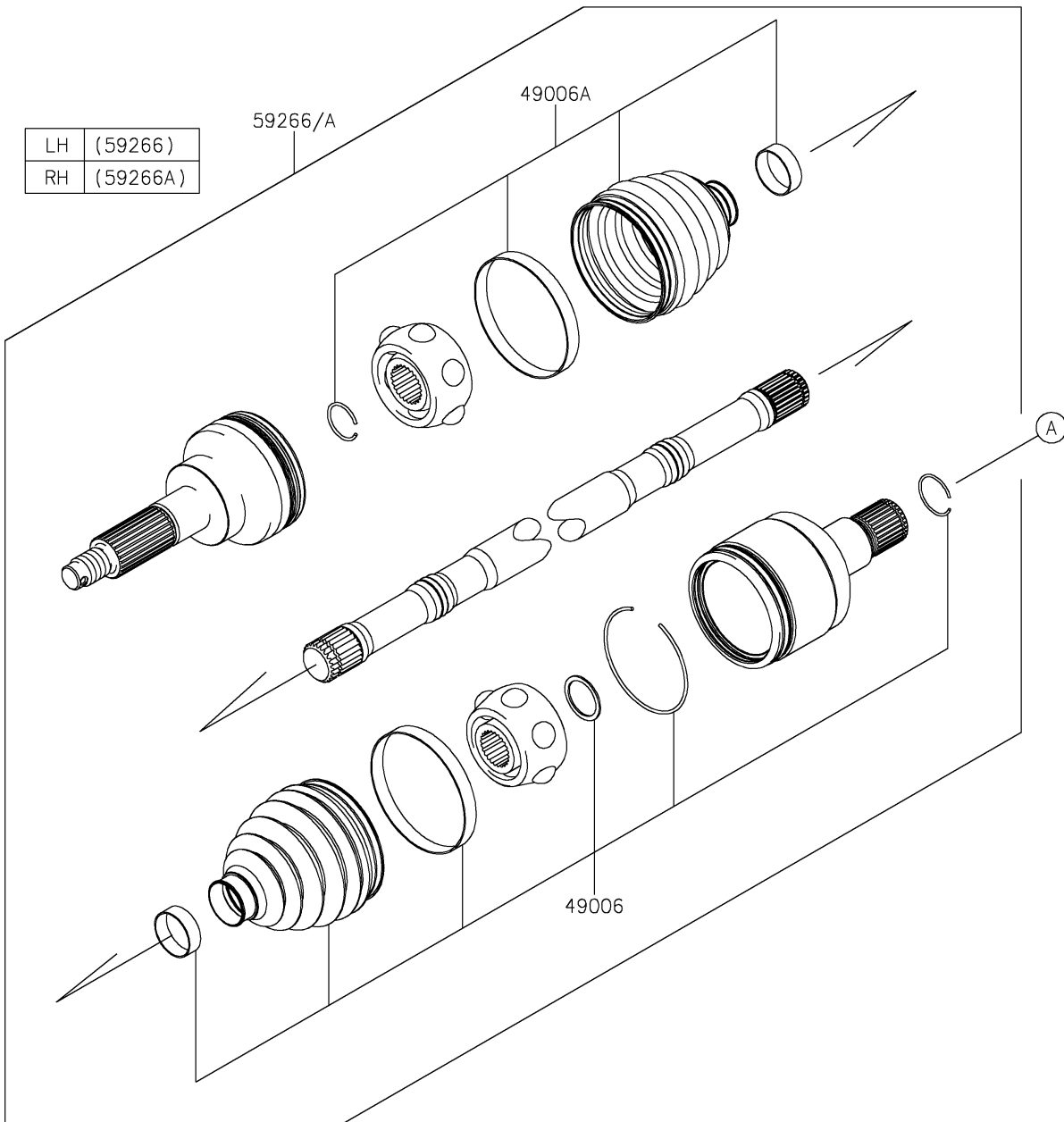
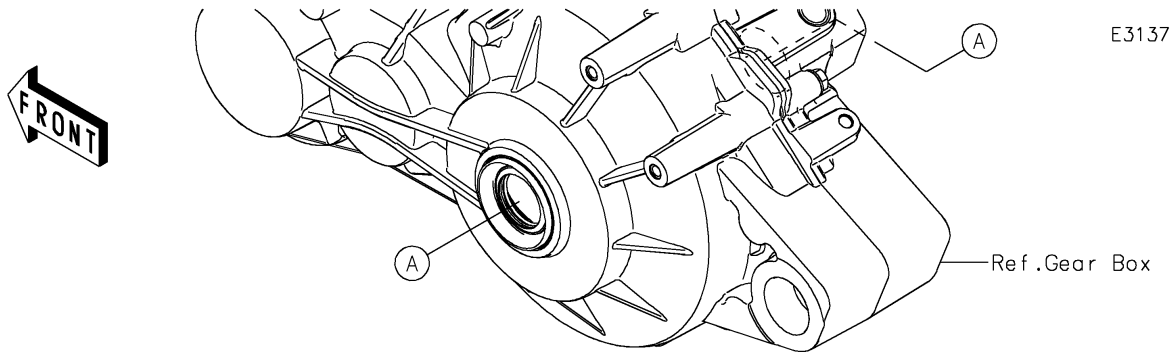


# 2018 MULE PRO-FX™ EPS PARTS DIAGRAM

Drive Shaft-Rear



## 2018 MULE PRO-FX™ EPS PARTS LIST

### Drive Shaft-Rear

| ITEM NAME                       | PART NUMBER | QUANTITY |
|---------------------------------|-------------|----------|
| BOOT,INSIDE (Ref # 49006)       | 49006-0585  | 2        |
| BOOT,OUTSIDE (Ref # 49006A)     | 49006-0586  | 2        |
| JOINT-BALL,RR,LH (Ref # 59266)  | 59266-0049  | 1        |
| JOINT-BALL,RR,RH (Ref # 59266A) | 59266-0050  | 1        |