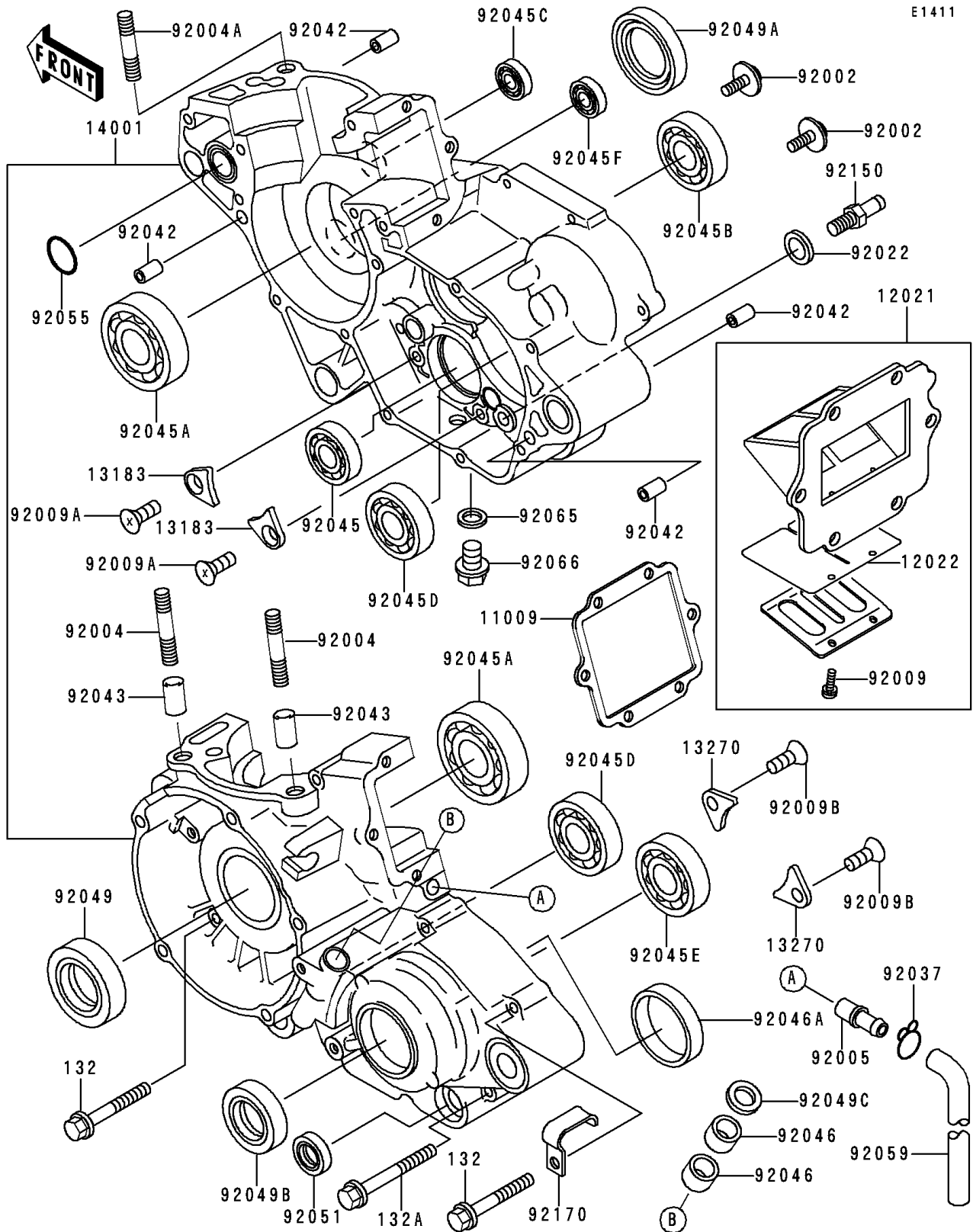


1998 KX125 PARTS DIAGRAM

Crankcase



1998 KX125 PARTS LIST

Crankcase

ITEM NAME	PART NUMBER	QUANTITY
BOLT-FLANGED-SMALL (Ref # 132)	132G0640	1
BOLT-FLANGED-SMALL (Ref # 132A)	132G0675	1
GASKET, REED VALVE (Ref # 11009)	11009-1941	1
VALVE-ASSY-REED (Ref # 12021)	12021-1111	1
VALVE-REED (Ref # 12022)	12022-1080	1
PLATE (Ref # 13183)	13183-1182	1
PLATE (Ref # 13270)	13270-1638	1
SET-CRANKCASE (Ref # 14001)	14001-1235	1
BOLT, 6X16 (Ref # 92002)	92002-1659	1
STUD, 8X35 (Ref # 92004)	92004-1244	1
STUD, 8X28.5 (Ref # 92004A)	92004-1245	1
FITTING, BREATHER (Ref # 92005)	92005-1127	1
SCREW, 3X6 (Ref # 92009)	92009-1371	1
SCREW, 6X10 (Ref # 92009A)	92009-1563	1
SCREW, 6X8 (Ref # 92009B)	92009-1708	1
WASHER, 10.2X18X1.0, SK5 (Ref # 92022)	92022-1415	1
CLAMP (Ref # 92037)	92037-1610	1
PIN, DOWEL, 6.3X8X14 (Ref # 92042)	92042-007	1
PIN, 8.2X10X14 (Ref # 92043)	92043-1264	1
BEARING-BALL, 6905Z (Ref # 92045)	92045-1058	1
BEARING-BALL (Ref # 92045A)	92045-1209	1
BEARING-BALL, 6204X15C (Ref # 92045B)	92045-1298	1
BEARING-BALL, 608MC3 (Ref # 92045C)	92045-1305	1
BEARING-BALL, SC03A53C3 (Ref # 92045D)	92045-1334	1
BEARING-BALL, SX04A81C3 (Ref # 92045E)	92045-1335	1
BEARING-BALL (Ref # 92045F)	92045-1345	1
BEARING-NEEDLE, HK1010 (Ref # 92046)	92046-1160	1
BEARING-NEEDLE, 7E-HKS33X38X8 (Ref # 92046A)	92046-1221	1
SEAL-OIL (Ref # 92049)	92049-1300	1

1998 KX125 PARTS LIST

Crankcase

ITEM NAME	PART NUMBER	QUANTITY
SEAL-OIL (Ref # 92049A)	92049-1301	1
SEAL-OIL (Ref # 92049B)	92049-1413	1
SEAL-OIL (Ref # 92049C)	92049-1414	1
SEAL-OIL,TB13225.5 (Ref # 92051)	92051-005	1
RING-O (Ref # 92055)	92055-086	1
TUBE,6X9X420 (Ref # 92059)	92059-1946	1
GASKET,10.5X16X1,DRAIN PLUG (Ref # 92065)	92065-058	1
PLUG,DRAIN (Ref # 92066)	92066-1437	1
BOLT,RETURN SPRING (Ref # 92150)	92150-1803	1
CLAMP (Ref # 92170)	92170-1555	1