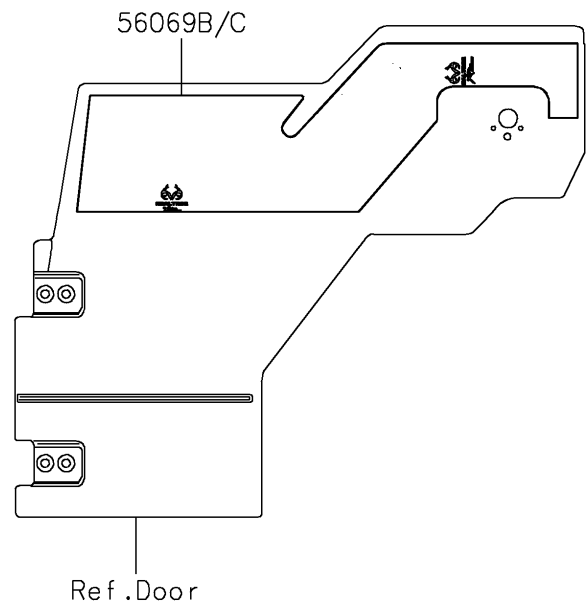
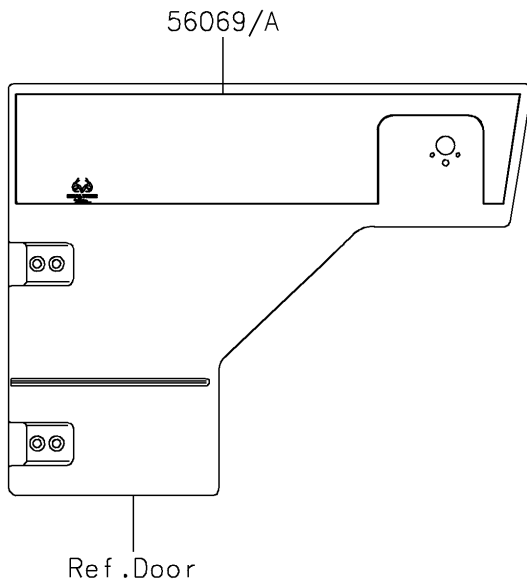
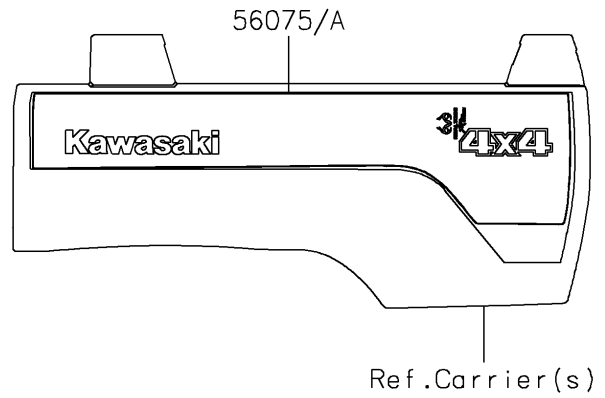
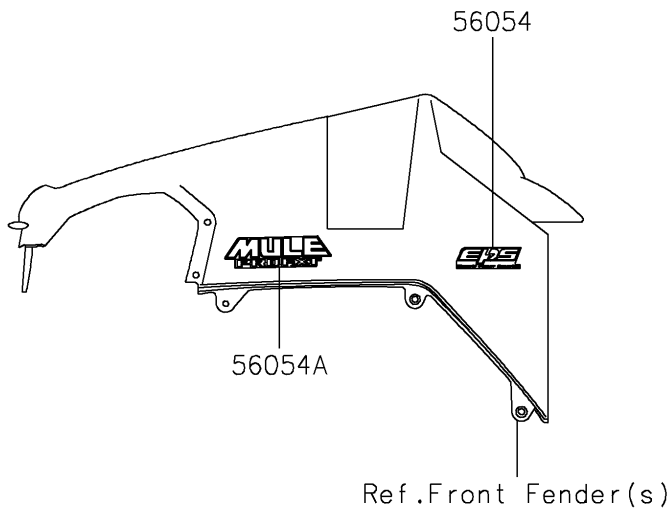


2019 MULE PRO-FXT™ EPS CAMO PARTS DIAGRAM

Decals

F2861



2019 MULE PRO-FXT™ EPS CAMO PARTS LIST

Decals

| ITEM NAME | PART NUMBER | QUANTITY |
|--|-------------|----------|
| MARK,FR FENDER,EPS (Ref # 56054) | 56054-1805 | 1 |
| MARK,FR FENDER,MULE PRO-FXT (Ref # 56054A) | 56054-1831 | 1 |
| PATTERN,SIDE GUARD,FR,LH (Ref # 56069) | 56069-7443 | 1 |
| PATTERN,SIDE GUARD,FR,RH (Ref # 56069A) | 56069-7444 | 1 |
| PATTERN,SIDE GUARD,RR,LH (Ref # 56069B) | 56069-7445 | 1 |
| PATTERN,SIDE GUARD,RR,RH (Ref # 56069C) | 56069-7446 | 1 |
| PATTERN,CARRIER PANEL,LH (Ref # 56075) | 56075-0656 | 1 |
| PATTERN,CARRIER PANEL,RH (Ref # 56075A) | 56075-0657 | 1 |