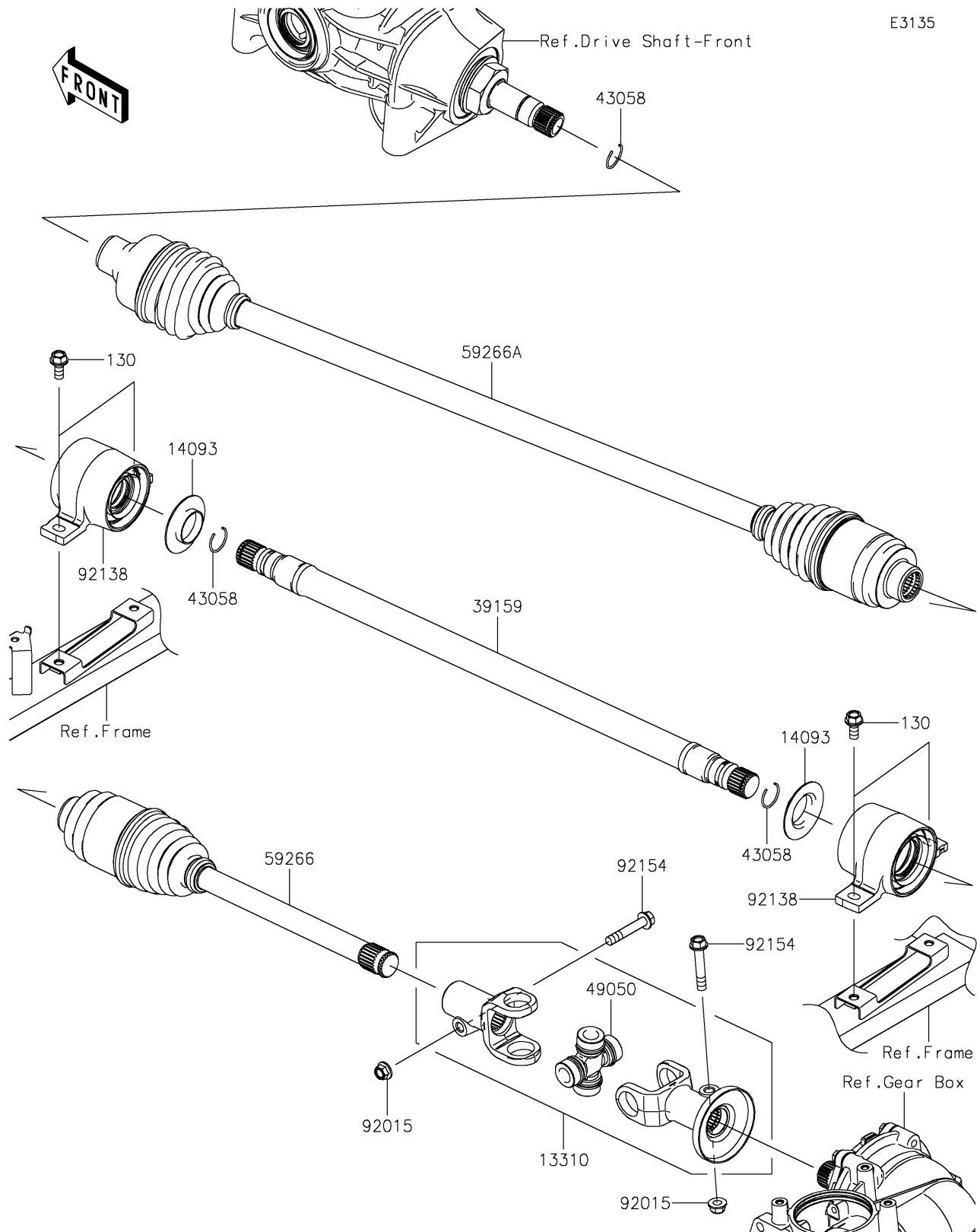


## 2018 MULE PRO-FXT™ EPS CAMO PARTS DIAGRAM

Drive Shaft-Propeller

E3135



## 2018 MULE PRO-FXT™ EPS CAMO PARTS LIST

Drive Shaft-Propeller

| ITEM NAME                              | PART NUMBER | QUANTITY |
|--|-------------|----------|
| BOLT-FLANGED,8X18 (Ref # 130)          | 130BA0818   | 1        |
| SHAFT-ASSY (Ref # 13310)               | 13310-0038  | 1        |
| COVER,SIDE RIP (Ref # 14093)           | 14093-0006  | 1        |
| SHAFT-DRIVE (Ref # 39159)              | 39159-0045  | 1        |
| RING (Ref # 43058)                     | 43058-0018  | 1        |
| SPIDER (Ref # 49050)                   | 49050-0034  | 1        |
| JOINT-BALL,T/M SIDE (Ref # 59266)      | 59266-0716  | 1        |
| JOINT-BALL,FR DIFF SIDE (Ref # 59266A) | 59266-0735  | 1        |
| NUT,8MM (Ref # 92015)                  | 92015-1432  | 1        |
| BEARING-COMP (Ref # 92138)             | 92138-0002  | 1        |
| BOLT,FLANGED,8X46 (Ref # 92154)        | 92154-1365  | 1        |