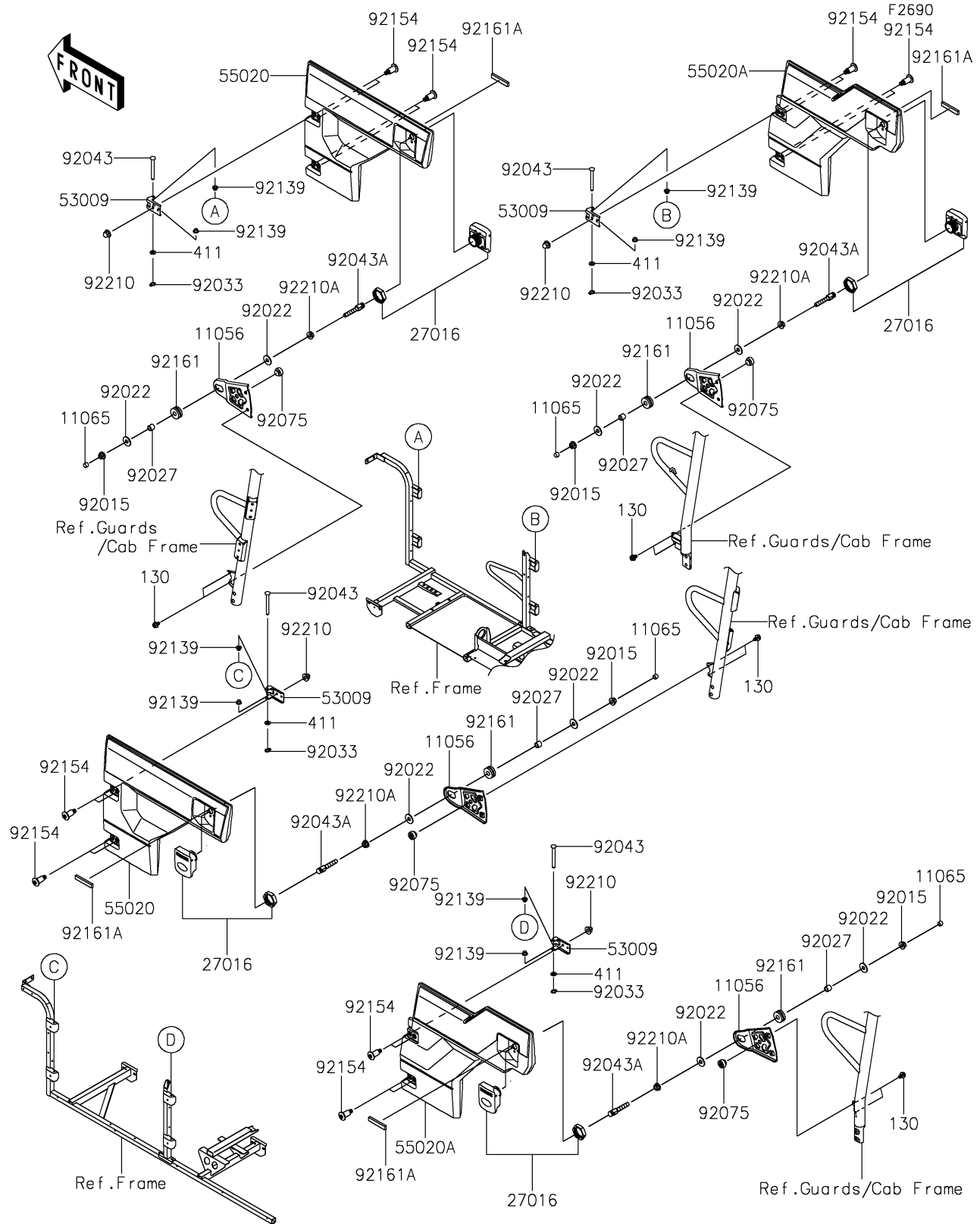


2018 MULE PRO-FXT™ EPS LE PARTS DIAGRAM

Door



2018 MULE PRO-FXT™ EPS LE PARTS LIST

Door

| ITEM NAME | PART NUMBER | QUANTITY |
|----------------------------------|---------------|----------|
| BRACKET,DOOR GUARD (Ref # 11056) | 11056-2856 | 4 |
| CAP (Ref # 11065) | 11065-7504 | 4 |
| BOLT-FLANGED,6X10 (Ref # 130) | 130BA0610 | 8 |
| LOCK-ASSY (Ref # 27016) | 27016-0084 | 4 |
| WASHER-PLAIN,6MM (Ref # 411) | 411AB0600 | 8 |
| HINGE (Ref # 53009) | 53009-0303 | 8 |
| GUARD,FR,F.BLACK (Ref # 55020) | 55020-0936-6Z | 2 |
| GUARD,RR,F.BLACK (Ref # 55020A) | 55020-0937-6Z | 2 |
| NUT,8MM (Ref # 92015) | 92015-1432 | 4 |
| WASHER,PLAIN (Ref # 92022) | 92022-3026 | 8 |
| COLLAR,8.8X12X10.7 (Ref # 92027) | 92027-102 | 4 |
| RING-SNAP (Ref # 92033) | 92033-0719 | 8 |
| PIN,6X56 (Ref # 92043) | 92043-0743 | 8 |
| PIN,DOOR LOCK (Ref # 92043A) | 92043-0788 | 4 |
| DAMPER (Ref # 92075) | 92075-1598 | 4 |
| BUSHING,6X8X6 (Ref # 92139) | 92139-0709 | 16 |
| BOLT,SOCKET,8X30 (Ref # 92154) | 92154-1369 | 16 |
| DAMPER,10X26X11.5 (Ref # 92161) | 92161-1691 | 4 |
| DAMPER,9X52X5 (Ref # 92161A) | 92161-1837 | 4 |
| NUT,CAP,8MM (Ref # 92210) | 92210-0488 | 16 |
| NUT,FLANGED,8MM (Ref # 92210A) | 92210-0555 | 4 |