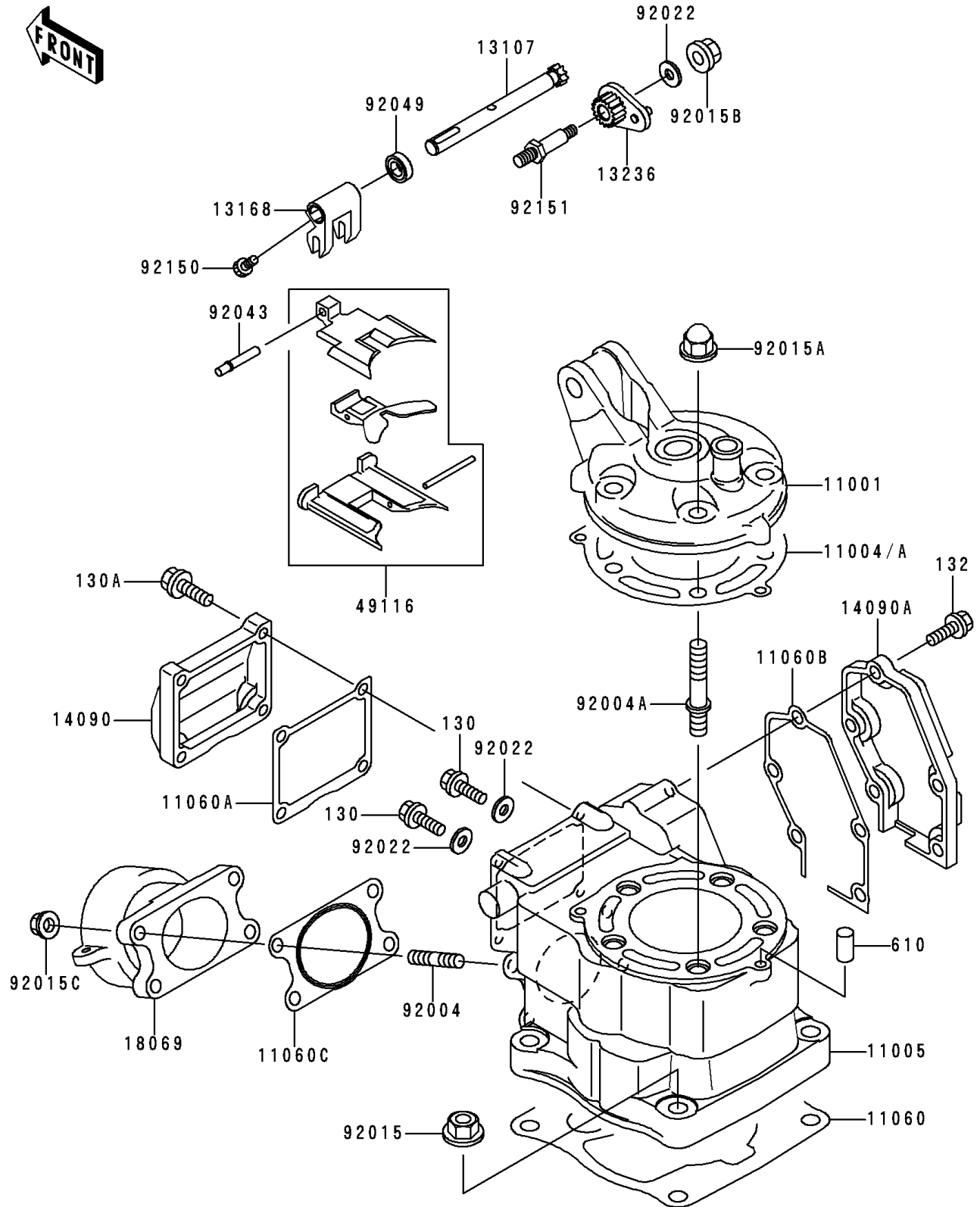


## 1998 KX125 PARTS DIAGRAM

Cylinder Head/Cylinder

E1110



## 1998 KX125 PARTS LIST

Cylinder Head/Cylinder

ITEM NAME	PART NUMBER	QUANTITY
BOLT-FLANGED (Ref # 130)	130G0508	1
BOLT-FLANGED (Ref # 130A)	130G0520	1
BOLT-FLANGED-SMALL (Ref # 132)	132G0616	1
ROLLER,4X8 (Ref # 610)	610A0408	1
HEAD-CYLINDER (Ref # 11001)	11001-1435	1
GASKET-HEAD,T=0.46 (Ref # 11004)	11004-1252	1
GASKET-HEAD,T=0.26 (Ref # 11004A)	11004-1300	1
CYLINDER-ENGINE (Ref # 11005)	11005-1852	1
GASKET,CYLINDER BASE (Ref # 11060)	11060-1769	1
GASKET,CENTER COVER (Ref # 11060A)	11060-1788	1
GASKET,RH COVER (Ref # 11060B)	11060-1789	1
GASKET (Ref # 11060C)	11060-1790	1
SHAFT (Ref # 13107)	13107-1374	1
LEVER,MAIN VALVE (Ref # 13168)	13168-1499	1
LEVER-COMP (Ref # 13236)	13236-1308	1
COVER,CENTER (Ref # 14090)	14090-1828	1
COVER,RH (Ref # 14090A)	14090-1829	1
HOLDER-EXHAUST PIPE (Ref # 18069)	18069-1140	1
VALVE-ASSY (Ref # 49116)	49116-1156	1
STUD,6X18 (Ref # 92004)	92004-1154	1
STUD,8X28 (Ref # 92004A)	92004-1236	1
NUT,8MM (Ref # 92015)	92015-1143	1
NUT,CAP,8MM (Ref # 92015A)	92015-1151	1
NUT,LOCK,5MM (Ref # 92015B)	92015-1221	1
NUT,FLANGED,6MM (Ref # 92015C)	92015-1367	1
WASHER,5.2X13X1 (Ref # 92022)	92022-1380	1
PIN,MAIN VALVE (Ref # 92043)	92043-1470	1
SEAL-OIL,SD088144 (Ref # 92049)	92049-1238	1
BOLT,SOCKET,4X8 (Ref # 92150)	92150-1888	1

## 1998 KX125 PARTS LIST

Cylinder Head/Cylinder

ITEM NAME	PART NUMBER	QUANTITY
BOLT (Ref # 92151)	92151-1257	1