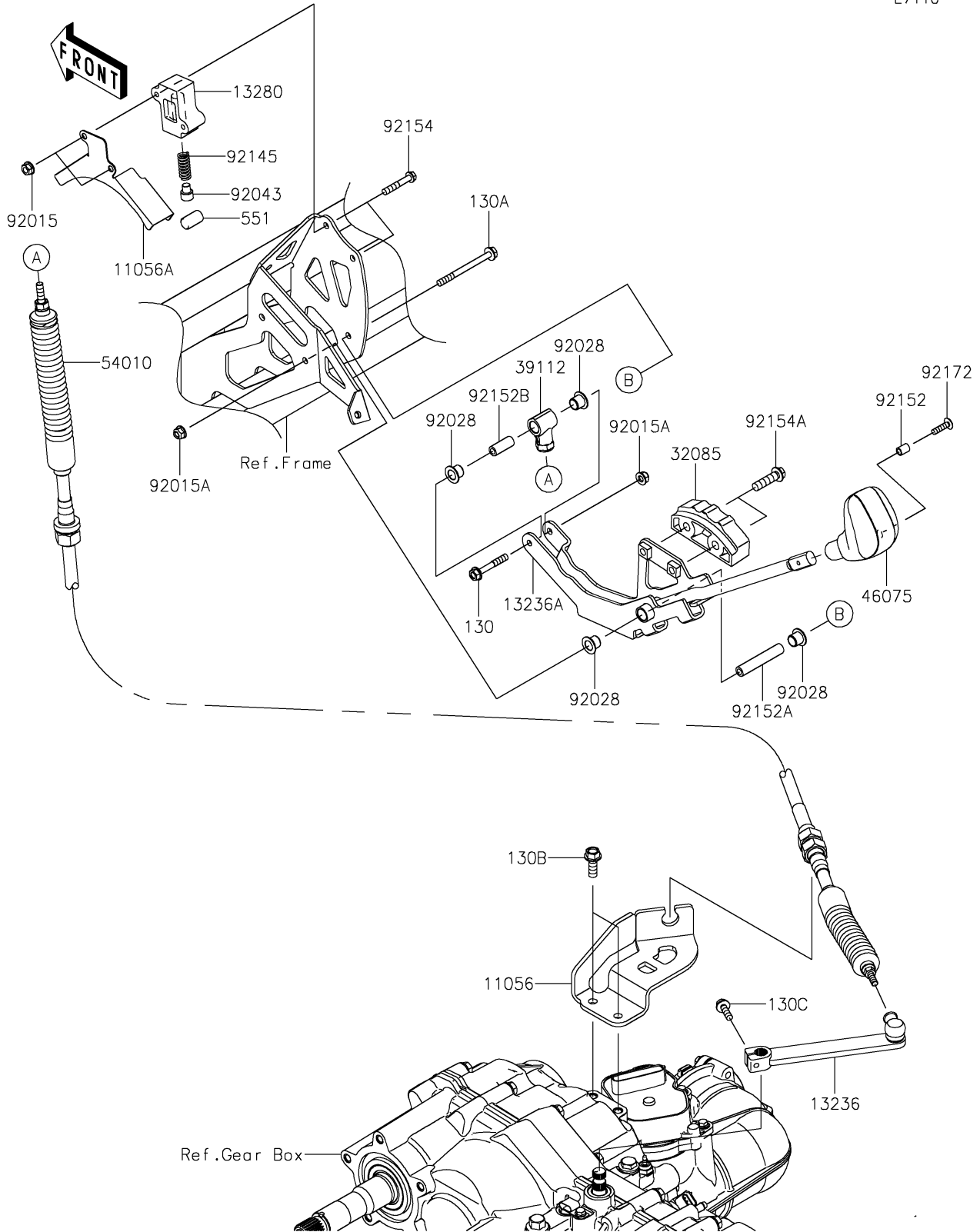


# 2018 MULE PRO-FXT™ EPS LE PARTS DIAGRAM

Control

E7110



## 2018 MULE PRO-FXT™ EPS LE PARTS LIST

### Control

| ITEM NAME                           | PART NUMBER | QUANTITY |
|-------------------------------------|-------------|----------|
| BRACKET,T/M SIDE (Ref # 11056)      | 11056-2946  | 1        |
| BRACKET,DUST COVER (Ref # 11056A)   | 11056-7274  | 1        |
| BOLT-FLANGED,6X40 (Ref # 130)       | 130BA0640   | 1        |
| BOLT-FLANGED,6X70 (Ref # 130A)      | 130BA0670   | 1        |
| BOLT-FLANGED,8X22 (Ref # 130B)      | 130BA0822   | 2        |
| BOLT-FLANGED,6X20 (Ref # 130C)      | 130CA0620   | 1        |
| LEVER-COMP,T/M SIDE (Ref # 13236)   | 13236-0747  | 1        |
| LEVER-COMP,SHIFT (Ref # 13236A)     | 13236-0748  | 1        |
| HOLDER (Ref # 13280)                | 13280-0776  | 1        |
| STOPPER (Ref # 32085)               | 32085-0748  | 1        |
| RODEND-TIE (Ref # 39112)            | 39112-0020  | 1        |
| GRIP (Ref # 46075)                  | 46075-0569  | 1        |
| CABLE,SHIFT (Ref # 54010)           | 54010-0601  | 1        |
| PIN-DOWEL,12X20 (Ref # 551)         | 551R1220    | 1        |
| NUT,FLANGED,6MM (Ref # 92015)       | 92015-1367  | 2        |
| NUT,LOCK,FLANGED,6MM (Ref # 92015A) | 92015-1675  | 2        |
| BUSHING (Ref # 92028)               | 92028-1507  | 4        |
| PIN (Ref # 92043)                   | 92043-0790  | 1        |
| SPRING (Ref # 92145)                | 92145-1578  | 1        |
| COLLAR,5.6X8X10.5 (Ref # 92152)     | 92152-1545  | 1        |
| COLLAR,6X10X56.5 (Ref # 92152A)     | 92152-1823  | 1        |
| COLLAR,6X10X25 (Ref # 92152B)       | 92152-1854  | 1        |
| BOLT,FLANGED,6X35 (Ref # 92154)     | 92154-1544  | 2        |
| BOLT,FLANGED,8X30 (Ref # 92154A)    | 92154-1907  | 2        |
| SCREW,5X20 (Ref # 92172)            | 92172-2081  | 1        |