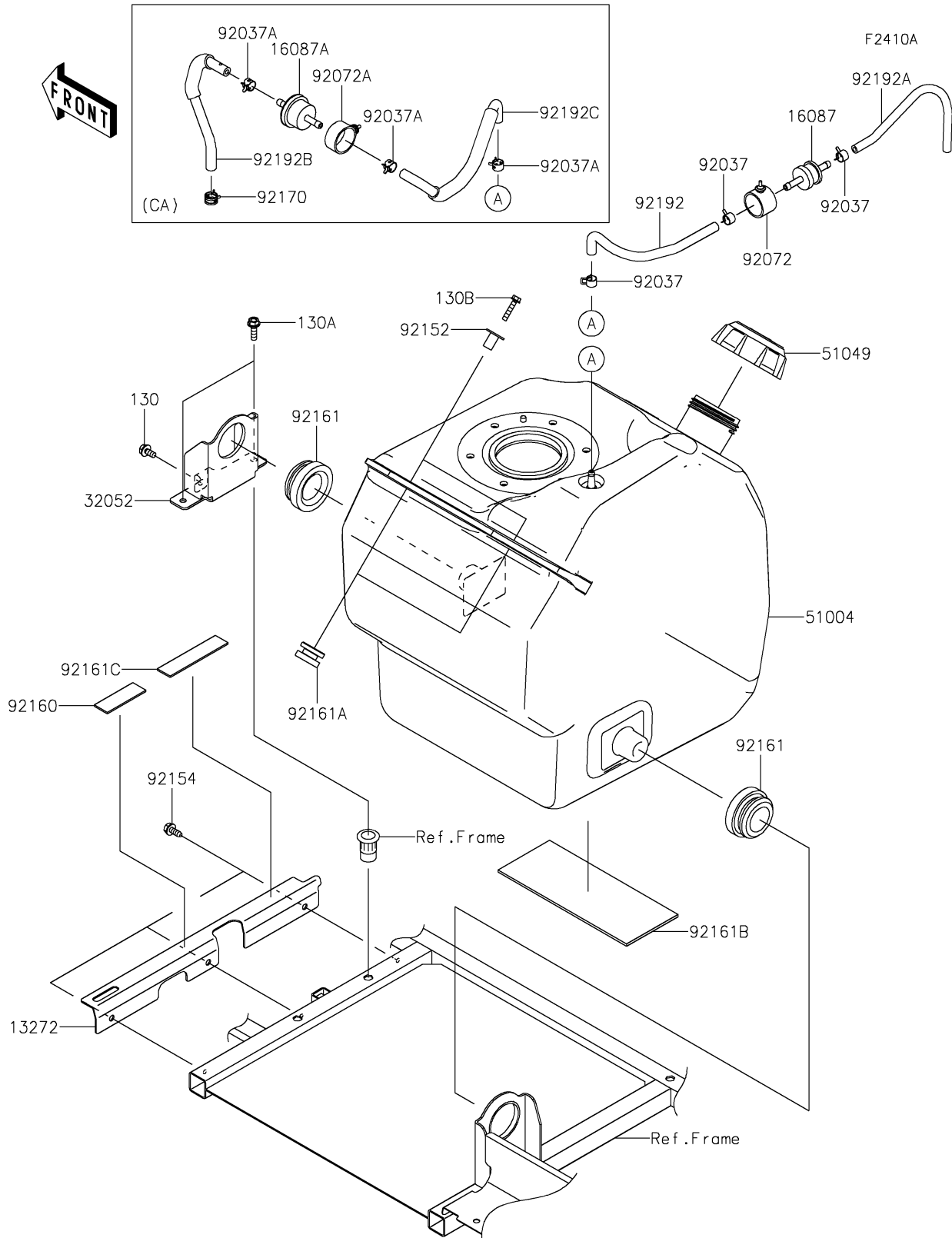


2020 MULE PRO-FXT™ PARTS DIAGRAM

Fuel Tank(ALF)



2020 MULE PRO-FXT™ PARTS LIST

Fuel Tank(ALF)

| ITEM NAME | PART NUMBER | QUANTITY |
|--|-------------|----------|
| BOLT-FLANGED,6X12 (Ref # 130) | 130BA0612 | 1 |
| BOLT-FLANGED,6X20 (Ref # 130A) | 130BA0620 | 1 |
| BOLT-FLANGED,6X30 (Ref # 130B) | 130BA0630 | 1 |
| PLATE (Ref # 13272) | 13272-2206 | 1 |
| VALVE-CHECK (Ref # 16087) | 16087-0008 | 1 |
| VALVE-CHECK (Ref # 16087A) | 16087-0011 | 1 |
| BRACKET-TANK (Ref # 32052) | 32052-0751 | 1 |
| TANK-FUEL (Ref # 51004) | 51004-0018 | 1 |
| CAP-TANK,FUEL (Ref # 51049) | 51049-0718 | 1 |
| CLAMP,TUBE (Ref # 92037) | 92037-1461 | 1 |
| CLAMP (Ref # 92037A) | 92037-2113 | 1 |
| BAND (Ref # 92072) | 92072-0850 | 1 |
| BAND (Ref # 92072A) | 92072-0852 | 1 |
| COLLAR,6.8X10X18.1 (Ref # 92152) | 92152-1867 | 1 |
| BOLT,6X15.6 (Ref # 92154) | 92154-1250 | 1 |
| DAMPER (Ref # 92160) | 92160-1075 | 1 |
| DAMPER,30X56X25 (Ref # 92161) | 92161-1613 | 1 |
| DAMPER,10X28X17 (Ref # 92161A) | 92161-1614 | 1 |
| DAMPER,80X200X3.175 (Ref # 92161B) | 92161-1645 | 1 |
| DAMPER (Ref # 92161C) | 92161-1876 | 1 |
| CLAMP (Ref # 92170) | 92170-2082 | 1 |
| TUBE,BREATHER (Ref # 92192) | 92192-0773 | 1 |
| TUBE,BREATHER,5X9X220 (Ref # 92192A) | 92192-1199 | 1 |
| TUBE,CHECK VALVE-FILTER (Ref # 92192B) | 92192-2241 | 1 |
| TUBE,5X10.4X185/35 (Ref # 92192C) | 92192-2285 | 1 |