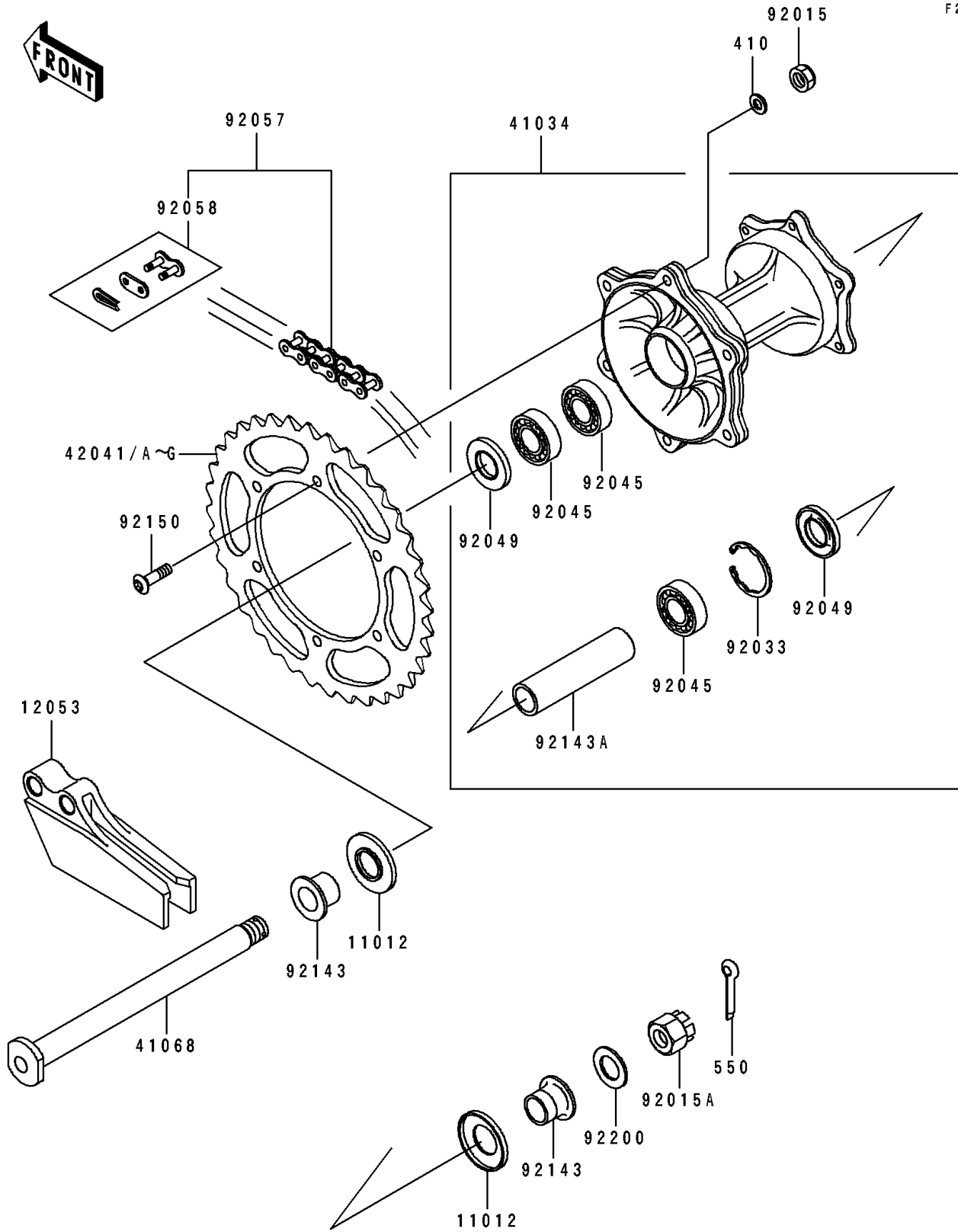


1997 KX125 PARTS DIAGRAM

Rear Hub

F2240



1997 KX125 PARTS LIST

Rear Hub

| ITEM NAME | PART NUMBER | QUANTITY |
|---|-------------|----------|
| WASHER-PLAIN-SMALL,8MM (Ref # 410) | 410B0800 | 6 |
| PIN-COTTER,3.0X25 (Ref # 550) | 550D3025 | 1 |
| CAP,AXLE (Ref # 11012) | 11012-1581 | 2 |
| GUIDE-CHAIN,DRIVE,RR (Ref # 12053) | 12053-1376 | 1 |
| DRUM-ASSY,REAR BRAKE (Ref # 41034) | 41034-1270 | 1 |
| AXLE,RR (Ref # 41068) | 41068-1343 | 1 |
| SPROCKET-HUB,49T (Ref # 42041) | 42041-1384 | 1 |
| SPROCKET-HUB,50T (Ref # 42041A) | 42041-1408 | 1 |
| SPROCKET-HUB,51T (Ref # 42041B) | 42041-1428 | 1 |
| SPROCKET-HUB,48T,AL (Ref # 42041C) | 42041-1448 | 1 |
| SPROCKET-HUB,49T,AL (Ref # 42041D) | 42041-1449 | 1 |
| SPROCKET-HUB,50T,AL (Ref # 42041E) | 42041-1450 | 1 |
| SPROCKET-HUB,51T,AL (Ref # 42041F) | 42041-1451 | 1 |
| SPROCKET-HUB,52T,AL (Ref # 42041G) | 42041-1472 | 1 |
| NUT,8MM (Ref # 92015) | 92015-1432 | 6 |
| NUT,CASTLE,18MM (Ref # 92015A) | 92015-1885 | 1 |
| RING-SNAP,42MM (Ref # 92033) | 92033-1041 | 1 |
| BEARING-BALL,6004X8JRLX2/3A (Ref # 92045) | 92045-1239 | 3 |
| SEAL-OIL,MHSA25 42 6 (Ref # 92049) | 92049-1314 | 2 |
| CHAIN,DRIVE,DID520DMAX112L (Ref # 92057) | 92057-1439 | 1 |
| JOINT-CHAIN,DRIVE (Ref # 92058) | 92058-1074 | 1 |
| COLLAR,RR AXLE,L=20 (Ref # 92143) | 92143-1905 | 2 |
| COLLAR,RR BRAKE DRUM,L=93 (Ref # 92143A) | 92143-1906 | 1 |
| BOLT,SOCKET,8X28 (Ref # 92150) | 92150-1978 | 6 |
| WASHER,18.5X32X2.3 (Ref # 92200) | 92200-1149 | 1 |