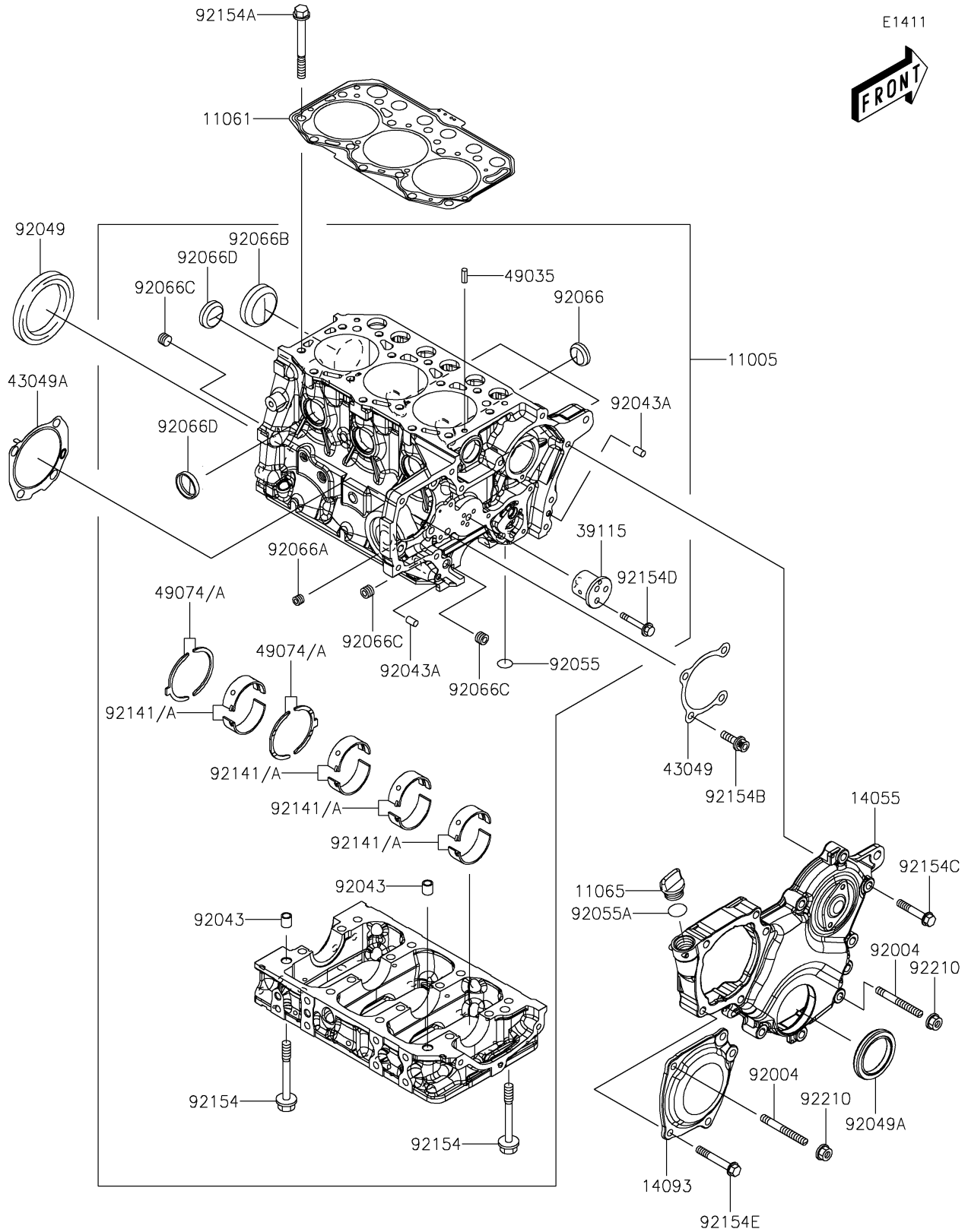


## 2017 MULE PRO-DXT™ DIESEL PARTS DIAGRAM

Crankcase



## 2017 MULE PRO-DXT™ DIESEL PARTS LIST

### Crankcase

ITEM NAME	PART NUMBER	QUANTITY
CYLINDER-ENGINE (Ref # 11005)	11005-0664	1
GASKET,HEAD (Ref # 11061)	11061-1192	1
CAP (Ref # 11065)	11065-0936	1
CASE-GEAR (Ref # 14055)	14055-0622	1
COVER (Ref # 14093)	14093-0439	1
SHAFT-IDLER (Ref # 39115)	39115-0025	1
PACKING (Ref # 43049)	43049-0035	1
PACKING (Ref # 43049A)	43049-0036	1
PIN-SPRING (Ref # 49035)	49035-0016	1
PLATE-THRUST (Ref # 49074)	49074-0003	1
PLATE-THRUST,O/S,0.25 (Ref # 49074A)	49074-0005	1
STUD,8X60 (Ref # 92004)	92004-0744	1
PIN,KNOCK (Ref # 92043)	92043-0883	1
PIN,6X10 (Ref # 92043A)	92043-0884	1
SEAL-OIL (Ref # 92049)	92049-0787	1
SEAL-OIL (Ref # 92049A)	92049-0788	1
RING-O (Ref # 92055)	92055-0854	1
RING-O (Ref # 92055A)	92055-0855	1
PLUG (Ref # 92066)	92066-0846	1
PLUG (Ref # 92066A)	92066-0847	1
PLUG (Ref # 92066B)	92066-0849	1
PLUG (Ref # 92066C)	92066-0850	1
PLUG (Ref # 92066D)	92066-0860	1
BEARING-PLANE,STD (Ref # 92141)	92141-0004	1
BEARING-PLANE,U/S,0.25 (Ref # 92141A)	92141-0005	1
BOLT,FLANGED (Ref # 92154)	92154-1981	1
BOLT,FLANGED (Ref # 92154A)	92154-1982	1
BOLT,SOCKET (Ref # 92154B)	92154-1983	1
BOLT,FLANGED,8X35 (Ref # 92154C)	92154-1984	1

## 2017 MULE PRO-DXT™ DIESEL PARTS LIST

Crankcase

ITEM NAME	PART NUMBER	QUANTITY
BOLT,FLANGED,6X40 (Ref # 92154D)	92154-1995	1
BOLT,FLANGED,8X45 (Ref # 92154E)	92154-2000	1
NUT,8MM (Ref # 92210)	92210-1473	1