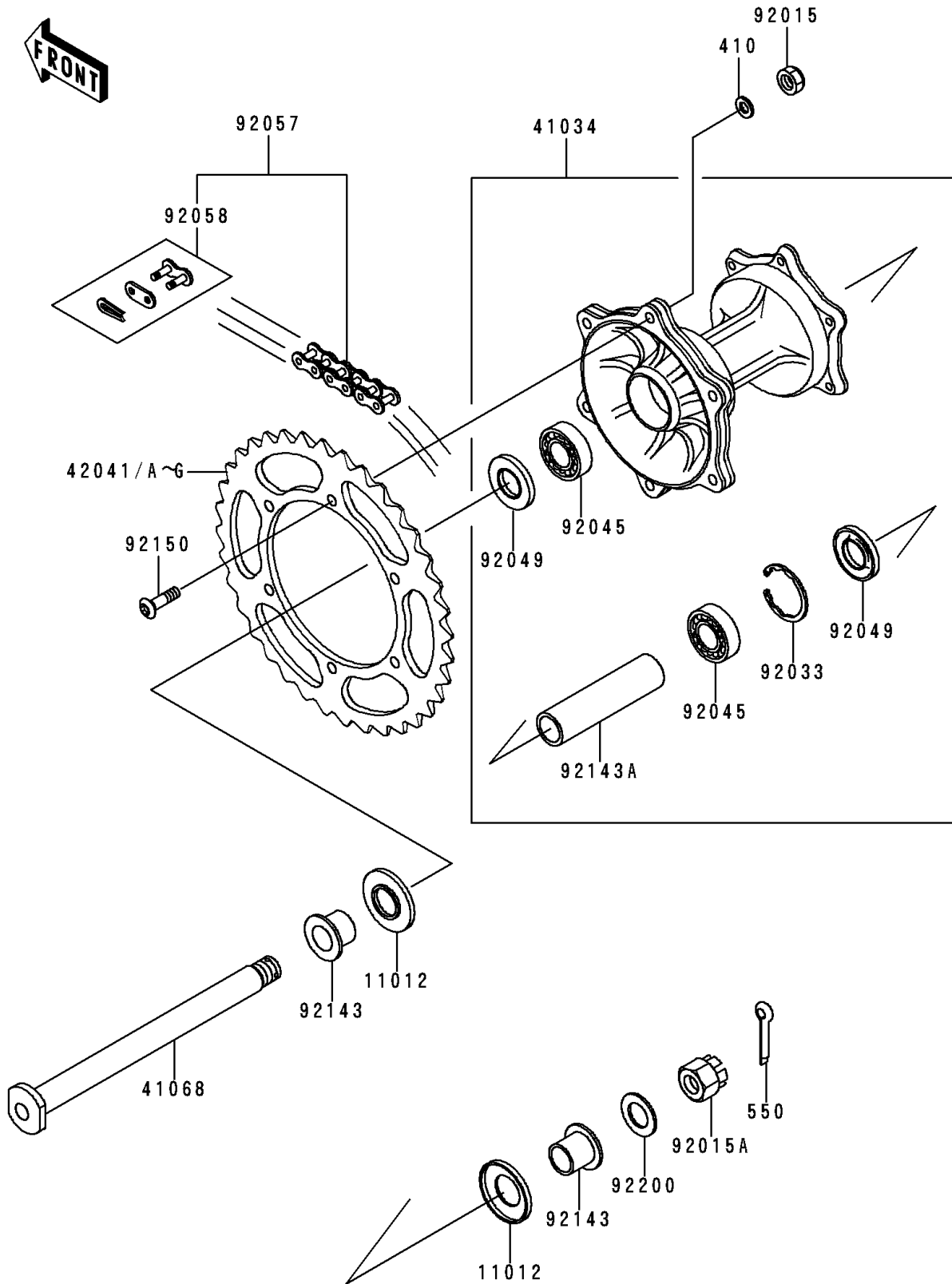


# 1995 KX125 PARTS DIAGRAM

Rear Hub

F2240



# 1995 KX125 PARTS LIST

Rear Hub

ITEM NAME	PART NUMBER	QUANTITY
-----------	-------------	----------