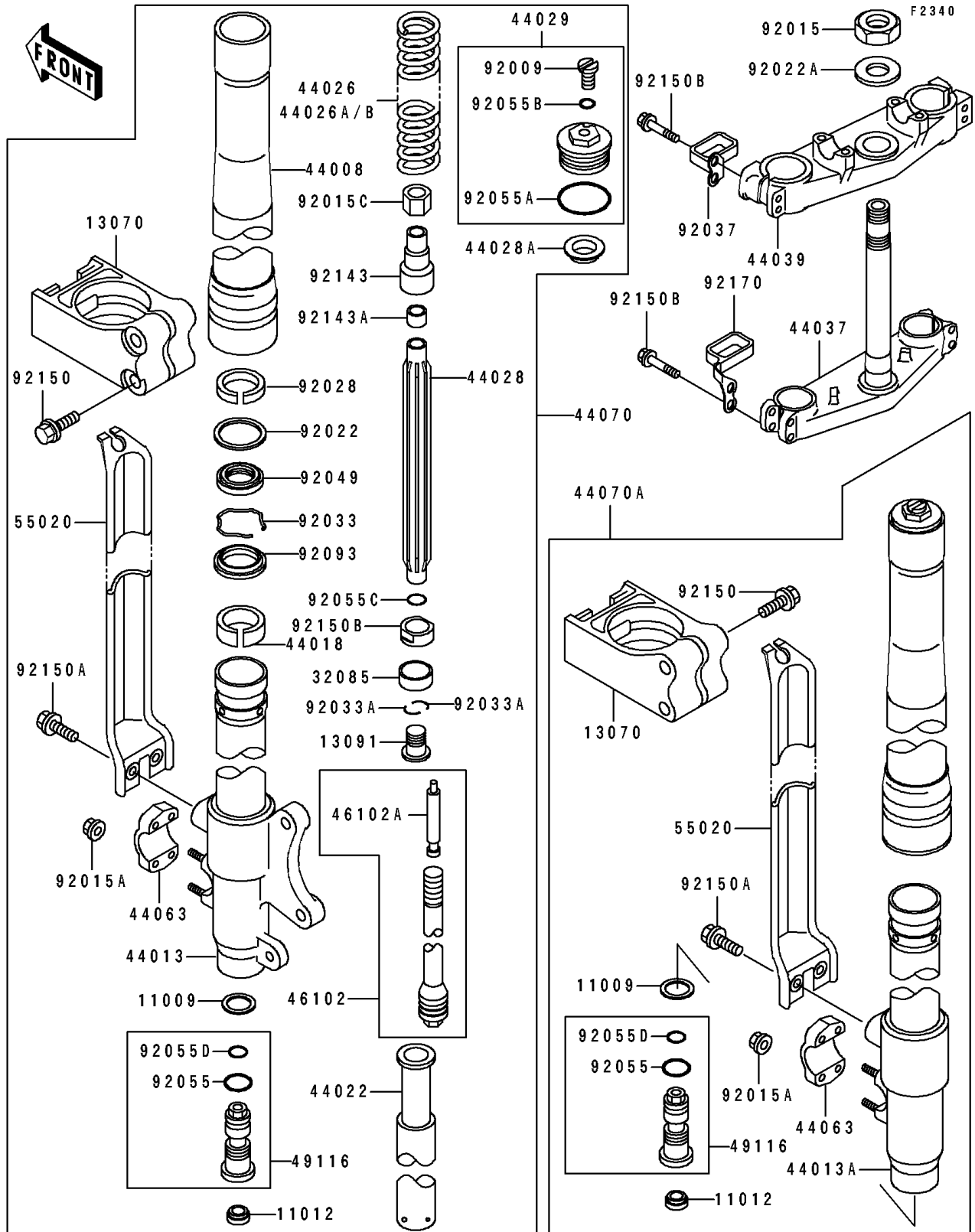


1993 KX125 PARTS DIAGRAM

Front Fork



1993 KX125 PARTS LIST

Front Fork

ITEM NAME	PART NUMBER	QUANTITY
GASKET (Ref # 11009)	11009-1791	2
CAP (Ref # 11012)	11012-1692	2
GUIDE,PROTECTOR (Ref # 13070)	13070-1204	2
HOLDER (Ref # 13091)	13091-1651	2
STOPPER (Ref # 32085)	32085-1323	2
PIPE-FORK OUTER (Ref # 44008)	44008-1023	2
PIPE-FORK INNER,LH (Ref # 44013)	44013-1377	1
PIPE-FORK INNER,RH (Ref # 44013A)	44013-1378	1
PISTON-FORK,INNER PIPE (Ref # 44018)	44018-1056	2
CYLINDER-FORK (Ref # 44022)	44022-1282	2
SPRING-FRONT FORK,K=0.35 (Ref # 44026)	44026-1525	2
SPRING-FRONT FORK,K=0.335 (Ref # 44026A)	44026-1530	2
SPRING-FRONT FORK,K=0.365 (Ref # 44026B)	44026-1531	2
GUIDE-FORK SPRING (Ref # 44028)	44028-1081	2
GUIDE-FORK SPRING (Ref # 44028A)	44028-1091	2
SEAT-FORK SPRING (Ref # 44029)	44029-1156	2
HOLDER-FORK UNDER (Ref # 44037)	44037-1298	1
HOLDER-FORK UPPER (Ref # 44039)	44039-1226	1
HOLDER-FRONT AXLE (Ref # 44063)	44063-1060	2
DAMPER-ASSY,FORK (Ref # 44070)	44070-5155	1
ROD,FORK,ASSY (Ref # 46102)	46102-1339	2
ROD,FORK,INNER (Ref # 46102A)	46102-1340	2
VALVE-ASSY,FORK (Ref # 49116)	49116-1106	2
GUARD,FORK (Ref # 55020)	55020-1384	2
SCREW (Ref # 92009)	92009-1568	2
NUT,24MM (Ref # 92015)	92015-1057	1
NUT,FLANGED,6MM (Ref # 92015A)	92015-1078	8
NUT (Ref # 92015B)	92015-1805	2
NUT (Ref # 92015C)	92015-1905	2

1993 KX125 PARTS LIST

Front Fork

ITEM NAME	PART NUMBER	QUANTITY
WASHER (Ref # 92022)	92022-1299	2
WASHER,25X36X2.3 (Ref # 92022A)	92022-250	1
BUSHING (Ref # 92028)	92028-1670	2
RING-SNAP (Ref # 92033)	92033-1077	2
RING-SNAP (Ref # 92033A)	92033-1271	4
CLAMP (Ref # 92037)	92037-1627	1
SEAL-OIL (Ref # 92049)	92049-1373	2
RING-O,FORK (Ref # 92055)	92055-1062	2
RING-O,FORK,AIR TUBE (Ref # 92055A)	92055-1333	2
RING-O (Ref # 92055B)	92055-1441	2
RING-O (Ref # 92055C)	92055-1442	2
RING-O,FORK VALVE (Ref # 92055D)	92055-1513	2
SEAL,FORK OUTER TUBE (Ref # 92093)	92093-1342	2
COLLAR,FORK (Ref # 92143)	92143-1374	2
COLLAR (Ref # 92143A)	92143-1639	2
BOLT,5X35 (Ref # 92150)	92150-1270	4
BOLT,6X14 (Ref # 92150A)	92150-1340	4
BOLT,FLANGED,8X40 (Ref # 92150B)	92150-1516	8
CLAMP (Ref # 92170)	92170-1088	1