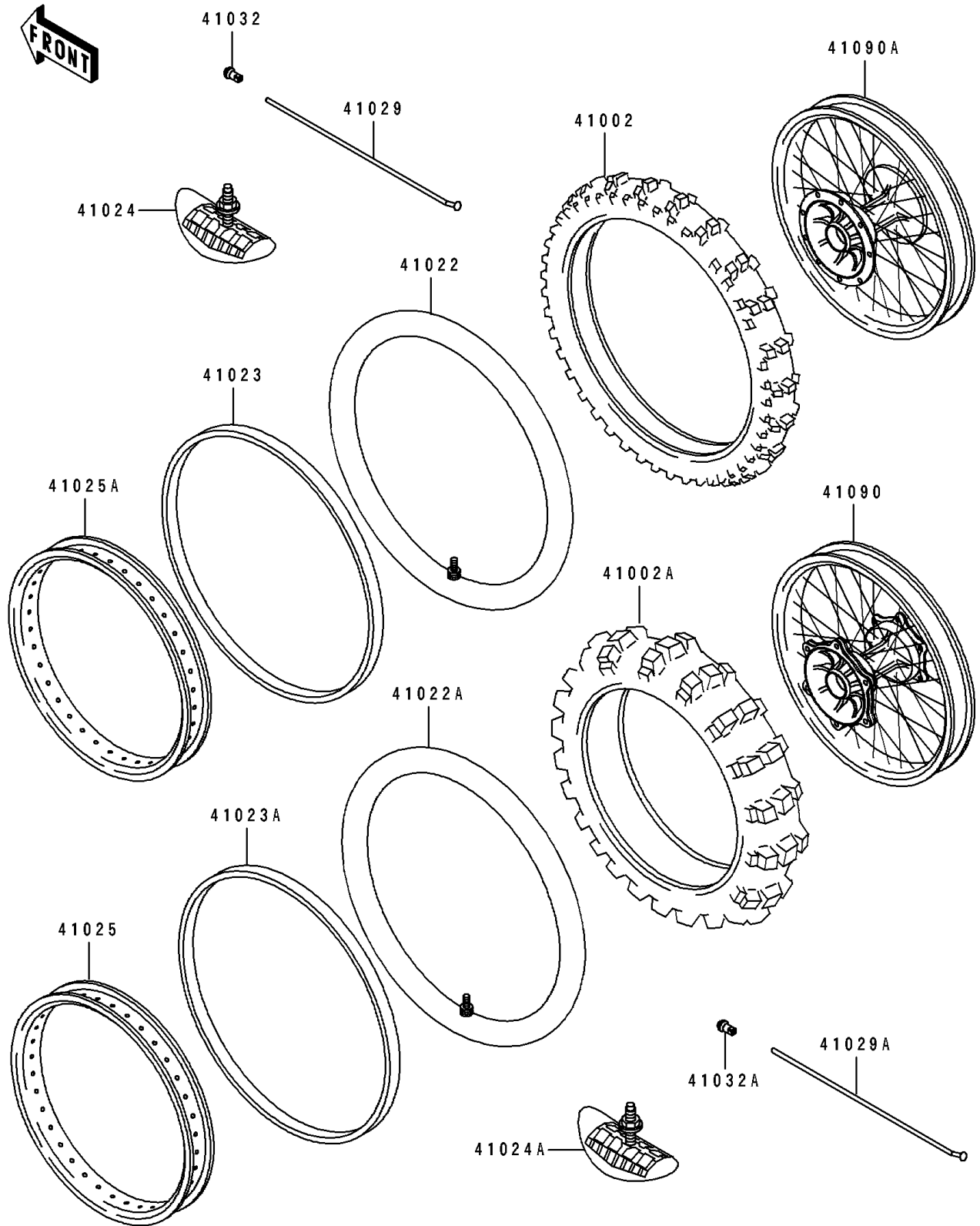


# 1993 KX125 PARTS DIAGRAM

Tire

F2210



# 1993 KX125 PARTS LIST

## Tire

ITEM NAME	PART NUMBER	QUANTITY
TIRE,FR,80/100-21 51M,K490(D) (Ref # 41002)	41002-1803	1
TIRE,RR,100/90-19 57M,K695(D) (Ref # 41002A)	41002-1812	1
TUBE-TIRE,80/100-21(D) (Ref # 41022)	41022-1118	1
TUBE-TIRE,100/90-19(D) (Ref # 41022A)	41022-1129	1
BAND-RIM,80/100-21(D) (Ref # 41023)	41023-1069	1
BAND-RIM,90.100/90-19(D) (Ref # 41023A)	41023-1074	1
STOPPER-RIM,1.60-M(DUNLOP) (Ref # 41024)	41024-010	1
STOPPER-RIM,1.85-M(DUNLOP) (Ref # 41024A)	41024-011	1
RIM,RR,1.85X19EFD (Ref # 41025)	41025-1250	1
RIM,FR,1.60X21 (Ref # 41025A)	41025-1262	1
SPOKE-INNER,FR,230MMX165D (Ref # 41029)	41029-1197	36
SPOKE-INNER,RR,202MMX160D (Ref # 41029A)	41029-1204	36
NIPPLE-SPOKE (Ref # 41032)	41032-1061	36
NIPPLE-SPOKE (Ref # 41032A)	41032-1064	36
WHEEL-SUB ASSY,RR (Ref # 41090)	41090-1081	1
WHEEL-SUB ASSY,FR (Ref # 41090A)	41090-1092	1