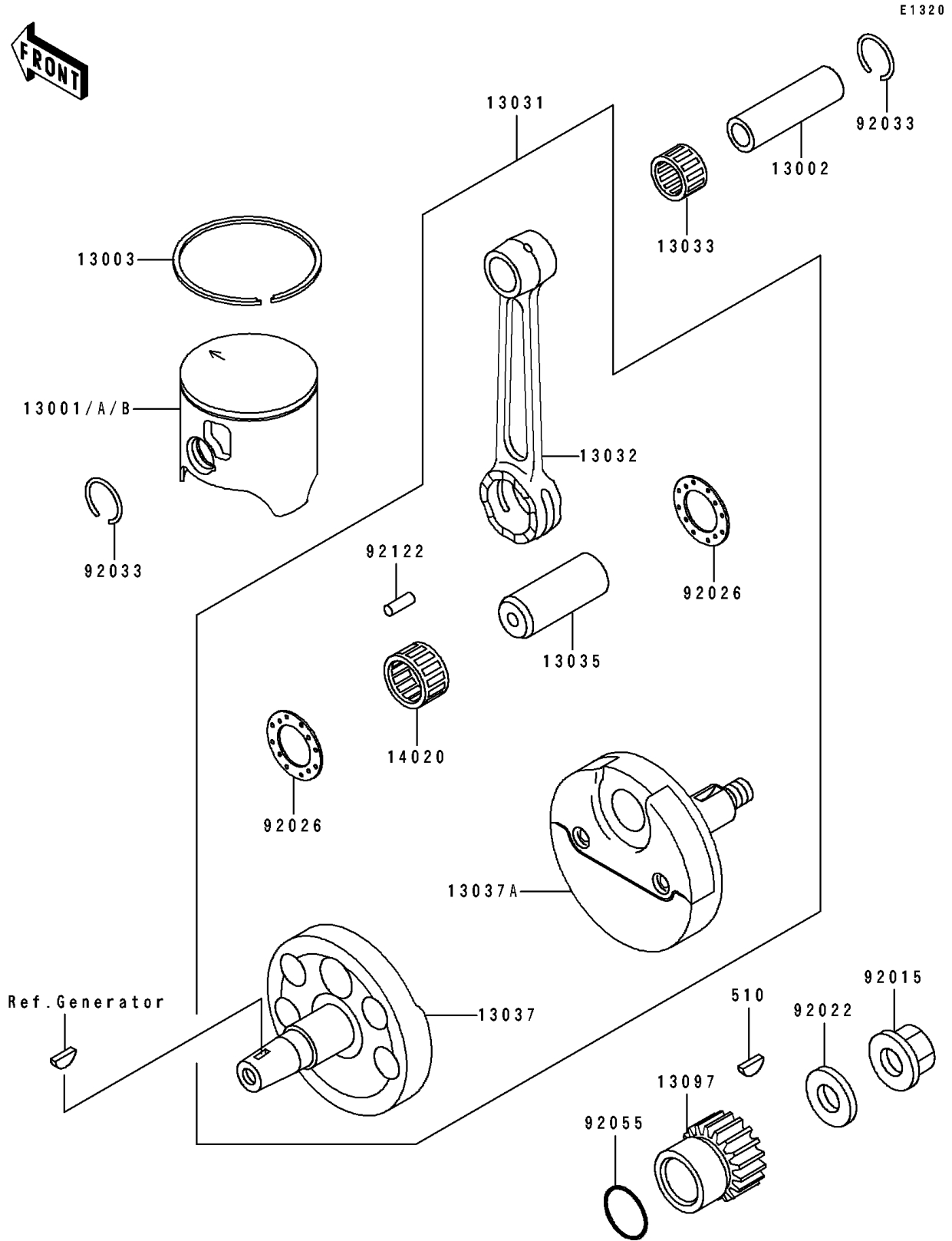


# 1993 KX125 PARTS DIAGRAM

Crankshaft/Piston



# 1993 KX125 PARTS LIST

## Crankshaft/Piston

ITEM NAME	PART NUMBER	QUANTITY
PISTON-ENGINE,(B) (Ref # 13001)	13001-1389	1
PIN-PISTON (Ref # 13002)	13002-1087	1
RING-PISTON TOP (Ref # 13003)	13003-1318	1
CRANKSHAFT-COMP (Ref # 13031)	13031-1368	1
ROD-CONNECTING (Ref # 13032)	13032-1200	1
BEARING-SMALL END (Ref # 13033)	13033-1056	1
PIN-CRANK (Ref # 13035)	13035-1010	1
CRANKSHAFT,LH (Ref # 13037)	13037-1460	1
CRANKSHAFT,RH (Ref # 13037A)	13037-1461	1
GEAR-PRIMARY SPUR (Ref # 13097)	13097-1302	1
RETAINER (Ref # 14020)	14020-1068	1
NUT,FLANGED,12MM (Ref # 92015)	92015-1156	1
WASHER (Ref # 92022)	92022-1831	1
SPACER,22.2X37X1.0 (Ref # 92026)	92026-1136	2
RING-SNAP,PISTON PIN (Ref # 92033)	92033-1242	2
RING-O (Ref # 92055)	92055-086	1
ROLLER,B-4 (Ref # 92122)	92122-1148	15
KEY-WOODRUFF (Ref # 510)	510A5100	1