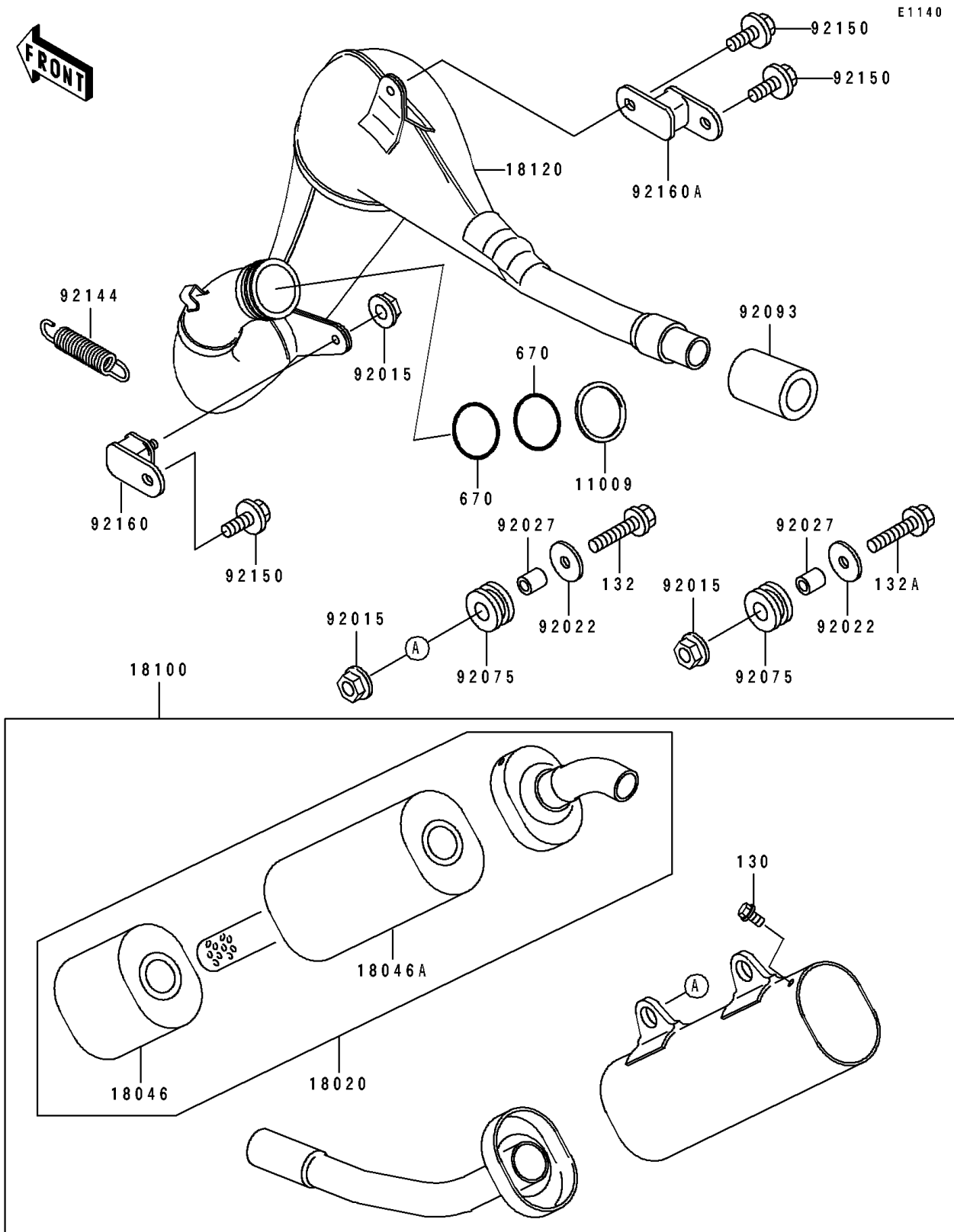


1993 KX125 PARTS DIAGRAM

Muffler



1993 KX125 PARTS LIST

Muffler

ITEM NAME	PART NUMBER	QUANTITY
GASKET,EXHAUST PIPE (Ref # 11009)	11009-1995	1
BAFFLE (Ref # 18020)	18020-1176	1
WOOL,L=110 (Ref # 18046)	18046-1182	1
WOOL,L=200 (Ref # 18046A)	18046-1183	1
BODY-ASSY-MUFFLER (Ref # 18100)	18100-1053	1
CHAMBER-EXHAUST (Ref # 18120)	18120-1053	1
NUT,FLANGED,6MM (Ref # 92015)	92015-1078	3
WASHER,6.5X22X1.6 (Ref # 92022)	92022-237	2
COLLAR,6.8X10X11.5 (Ref # 92027)	92027-1210	2
DAMPER,MUFFLER FITTING (Ref # 92075)	92075-1857	2
SEAL,MUFFLER CONNECTING (Ref # 92093)	92093-1291	1
SPRING,EXHAUST CONNECTING (Ref # 92144)	92144-1470	2
BOLT,6X12 (Ref # 92150)	92150-1435	3
DAMPER,MUFFLER,FR (Ref # 92160)	92160-1176	1
DAMPER,MUFFLER,RR (Ref # 92160A)	92160-1201	1
BOLT-FLANGED (Ref # 130)	130G0508	4
BOLT-FLANGED-SMALL (Ref # 132)	132G0630	1
BOLT-FLANGED-SMALL (Ref # 132A)	132G0635	1
O RING,39MM (Ref # 670)	670E3039	2