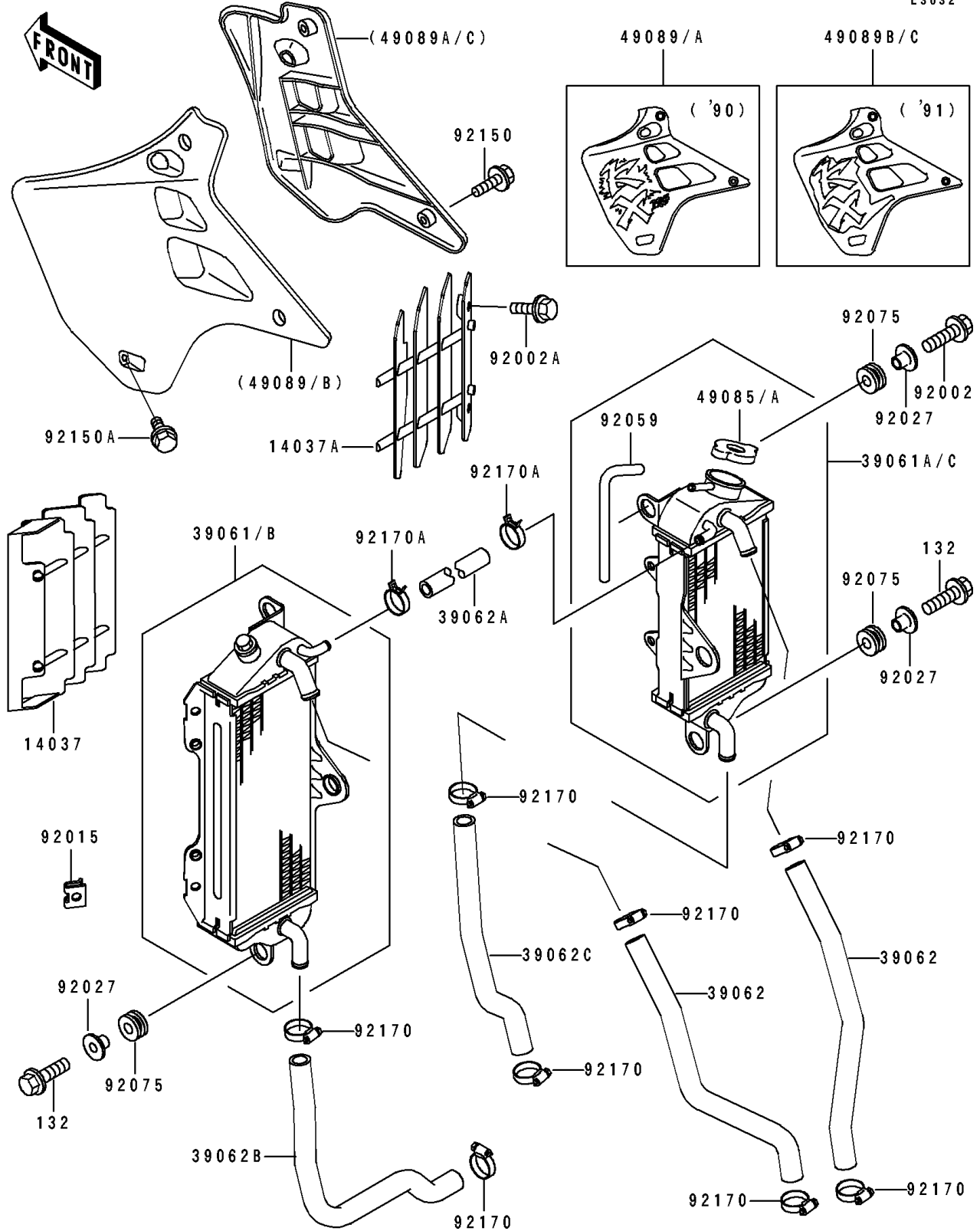


# 1990 KX125 PARTS DIAGRAM

Radiator

E3032



# 1990 KX125 PARTS LIST

## Radiator

ITEM NAME	PART NUMBER	QUANTITY
SCREEN,LH,L.GREEN (Ref # 14037)	14037-1099-6W	1
SCREEN,RH,L.GREEN (Ref # 14037A)	14037-1121-6W	1
RADIATOR-ASSY,LH (Ref # 39061)	39061-1147	1
RADIATOR-ASSY,RH (Ref # 39061A)	39061-1149	1
HOSE-COOLING,HEAD-RADIATOR (Ref # 39062)	39062-1366	2
HOSE-COOLING,RADIATOR,LH-RH (Ref # 39062A)	39062-1368	1
HOSE-COOLING,RADIATOR,L-PUMP (Ref # 39062B)	39062-1369	1
HOSE-COOLING,RADIATOR,R-PUMP (Ref # 39062C)	39062-1371	1
CAP-ASSY-PRESSURE (Ref # 49085)	49085-1003	1
CAP-ASSY-PRESSURE,P=1.6 (Ref # 49085A)	49085-1059	1
SHROUD-ENGINE,LH,L.GREEN (Ref # 49089)	49089-5089-6W	1
SHROUD-ENGINE,RH,L.GREEN (Ref # 49089A)	49089-5090-6W	1
BOLT,6X25 (Ref # 92002)	92002-1462	1
BOLT,L=12 (Ref # 92002A)	92002-1662	1
NUT (Ref # 92015)	92015-1487	2
COLLAR,L=11.1 (Ref # 92027)	92027-194	6
TUBE,5X9X800 (Ref # 92059)	92059-1383	1
DAMPER (Ref # 92075)	92075-209	6
BOLT,6X14 (Ref # 92150)	92150-1340	4
BOLT,6X14 (Ref # 92150A)	92150-1392	2
CLAMP (Ref # 92170)	92170-1126	8
CLAMP (Ref # 92170A)	92170-1167	2
BOLT-FLANGED-SMALL (Ref # 132)	132G0620	5