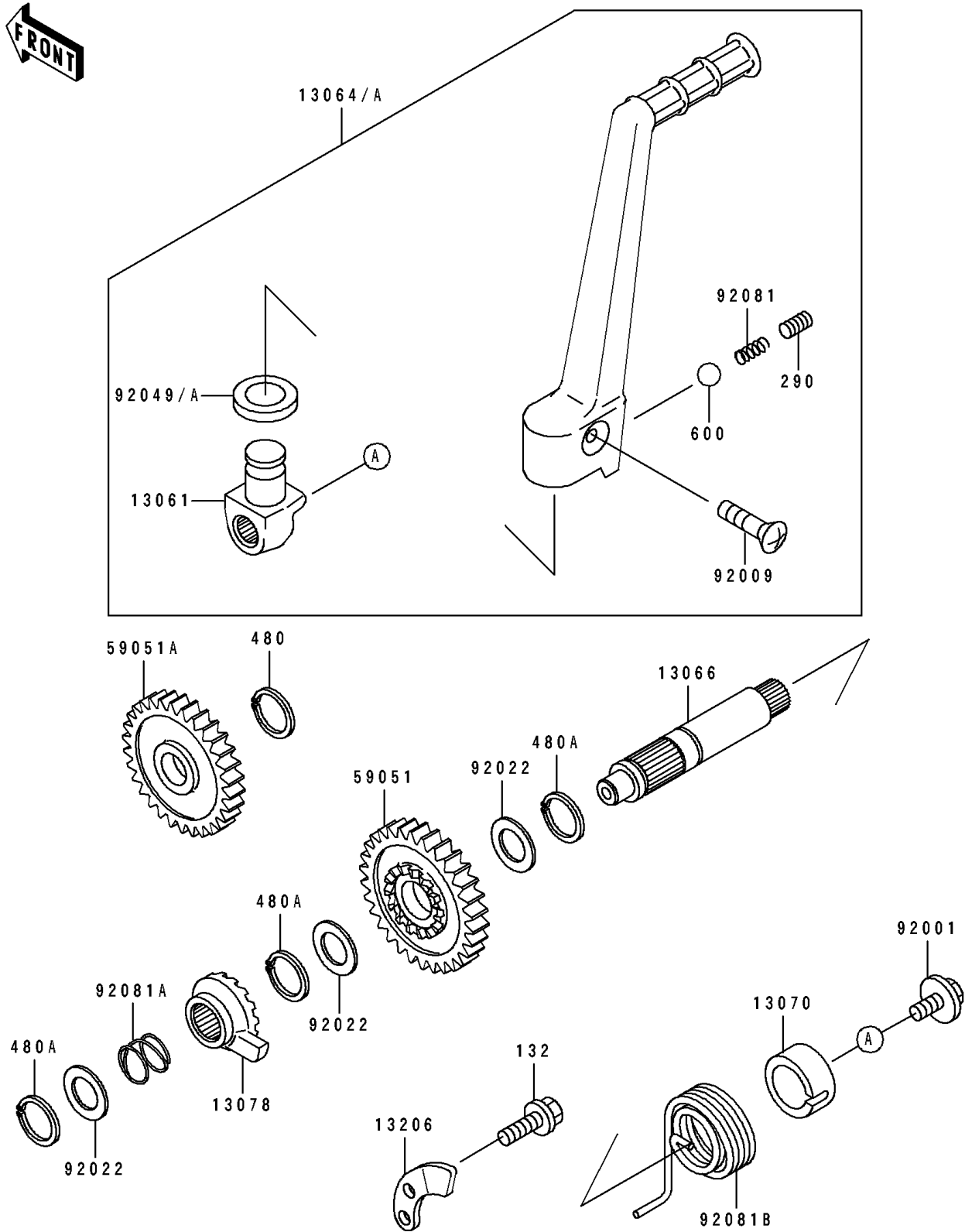


1991 KX125 PARTS DIAGRAM

Kickstarter Mechanism

E1340



1991 KX125 PARTS LIST

Kickstarter Mechanism

ITEM NAME	PART NUMBER	QUANTITY
BOSS,KICK PEDAL (Ref # 13061)	13061-1315	1
LEVER-ASSY-KICK,PEDAL (Ref # 13064A)	13064-1156	1
SHAFT-KICK,STARTER (Ref # 13066)	13066-1019	1
GUIDE,KICK SPRING (Ref # 13070)	13070-1007	1
RATCHET (Ref # 13078)	13078-1052	1
GUIDE-KICK (Ref # 13206)	13206-1059	1
GEAR-SPUR,KICKSTARTER,30T (Ref # 59051)	59051-1125	1
GEAR-SPUR,IDLE,31T (Ref # 59051A)	59051-1191	1
BOLT,FLANGED,6X10 (Ref # 92001)	92001-1034	1
SCREW,6X27 (Ref # 92009)	92009-1607	1
WASHER,16.8X22X0.5 (Ref # 92022)	92022-315	3
SEAL-OIL,KICK PEDAL (Ref # 92049A)	92049-1387	1
SPRING,KICK PEDAL (Ref # 92081)	92081-020	1
SPRING,RATCHET (Ref # 92081A)	92081-122	1
SPRING,KICKSTARTER (Ref # 92081B)	92081-1768	1
BOLT-FLANGED-SMALL (Ref # 132)	132G0616	1
SCREW-SET-SOCKET,8X8 (Ref # 290)	290Q0808	1
CIRCLIP-TYPE-C,15MM (Ref # 480)	480J1500	1
CIRCLIP-TYPE-C,16MM (Ref # 480A)	480J1600	3
BALL-STEEL,1/4" (Ref # 600)	600A0800	1