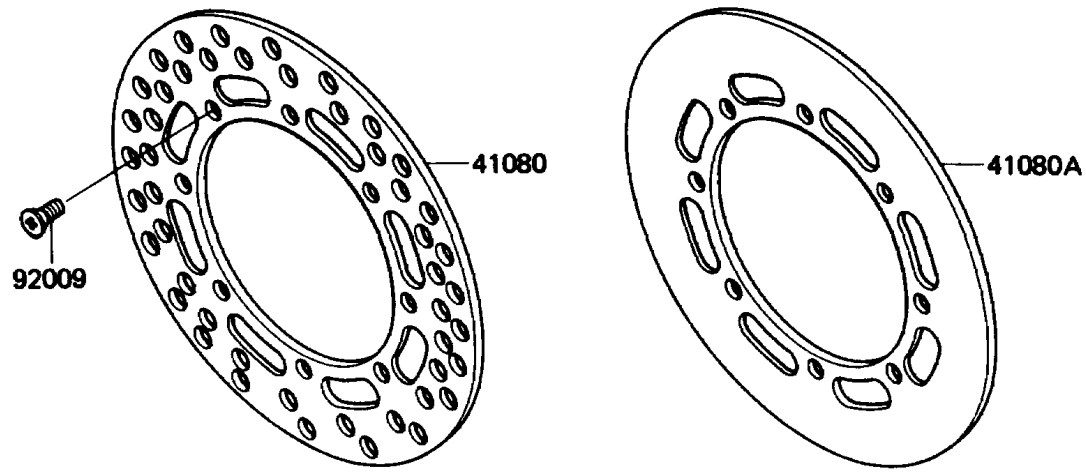
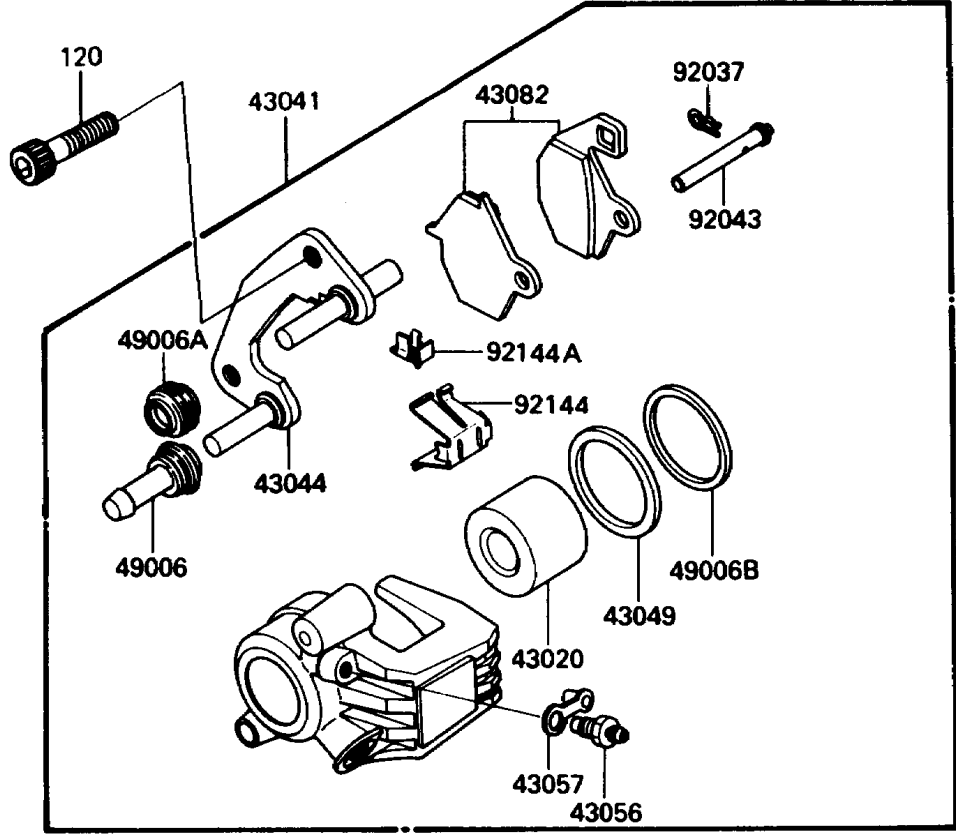


1988 KX125 PARTS DIAGRAM

Front Brake

F2292-0098



1988 KX125 PARTS LIST

Front Brake

| ITEM NAME | PART NUMBER | QUANTITY |
|--------------------------------------|-------------|----------|
| DISC,FR (Ref # 41080) | 41080-1147 | 1 |
| DISC,FR (Ref # 41080A) | 41080-1188 | 1 |
| PISTON-COMP-BRAKE (Ref # 43020) | 43020-1072 | 1 |
| CALIPER-ASSY,FR (Ref # 43041) | 43041-1243 | 1 |
| HOLDER-COMP-CALIPER,FR (Ref # 43044) | 43044-1069 | 1 |
| PACKING,PISTON SEAL (Ref # 43049) | 43049-001 | 1 |
| BREATHER (Ref # 43056) | 43056-003 | 1 |
| CAP-BREATHER (Ref # 43057) | 43057-003 | 1 |
| PAD-ASSY-BRAKE (Ref # 43082) | 43082-1072 | 1 |
| BOOT,CALIPER (Ref # 49006) | 49006-1054 | 1 |
| BOOT,CALIPER (Ref # 49006A) | 49006-1055 | 1 |
| BOOT,PISTON SEAL (Ref # 49006B) | 49006-1212 | 1 |
| SCREW,6X10 (Ref # 92009) | 92009-1375 | 8 |
| CLAMP,PAD (Ref # 92037) | 43084-003 | 1 |
| PIN,PAD (Ref # 92043) | 92043-1356 | 1 |
| SPRING,PAD (Ref # 92144) | 92144-1117 | 1 |
| SPRING,PAD STOPPER (Ref # 92144A) | 92144-1118 | 1 |
| BOLT-SOCKET,8X20 (Ref # 120) | 120P0820 | 2 |