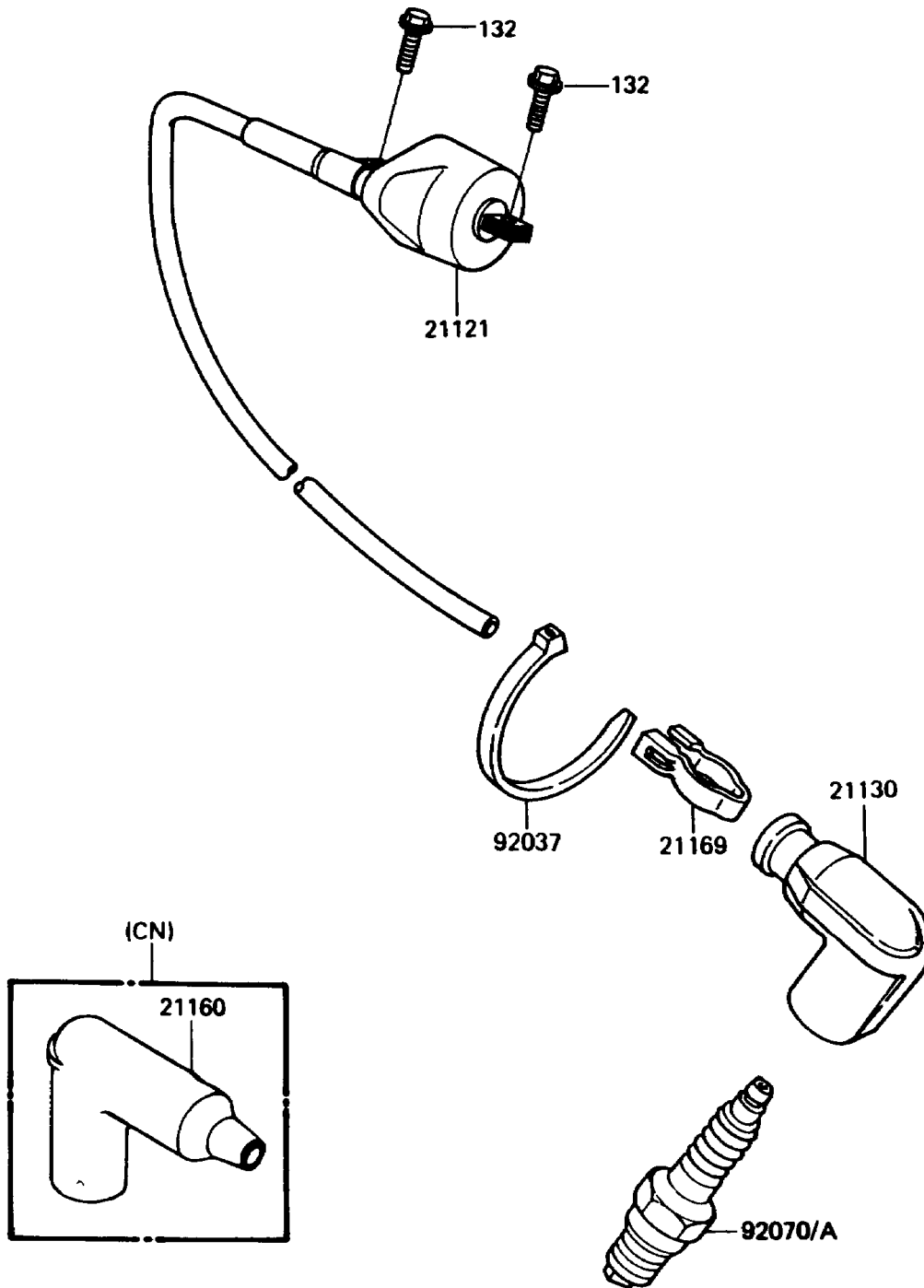


1988 KX125 PARTS DIAGRAM

Ignition System

E1830-0241



1988 KX125 PARTS LIST

Ignition System

ITEM NAME	PART NUMBER	QUANTITY
COIL-IGNITION (Ref # 21121)	21121-1170	1
CAP-SPARK PLUG (Ref # 21130)	21130-1006	1
CAP-ASSY-PLUG (Ref # 21160)	21160-1009	1
TERMINAL,PLUG CAP (Ref # 21169)	21169-001	1
CLAMP (Ref # 92037)	92037-1173	1
PLUG-SPARK,B10EG(NGK) (Ref # 92070)	92070-1132	1
PLUG-SPARK,BR10EG(NGK) (Ref # 92070A)	92070-1133	1
BOLT-FLANGED-SMALL (Ref # 132)	132G0618	2