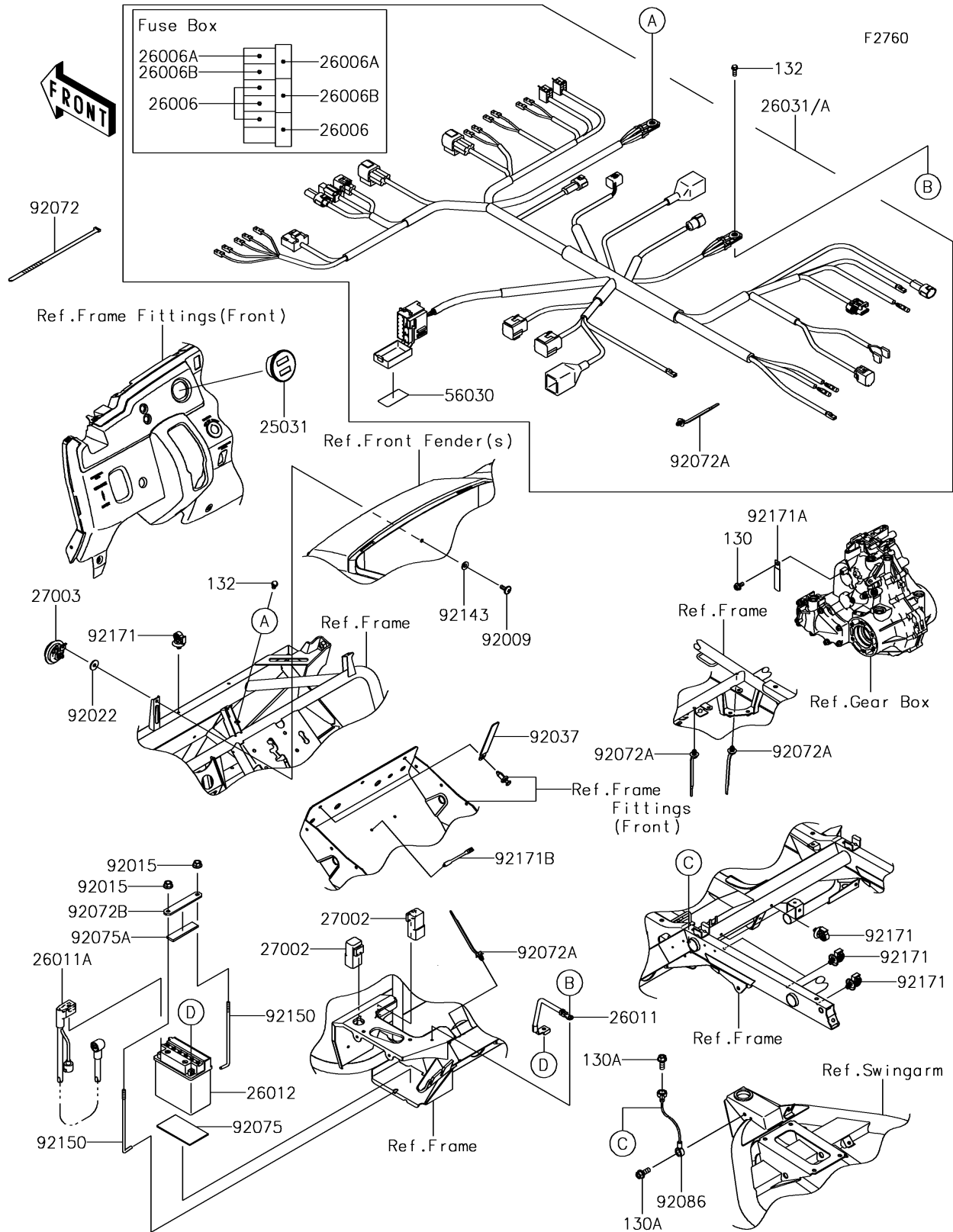


2017 MULE SX™ 4x4 SE PARTS DIAGRAM

Chassis Electrical Equipment



2017 MULE SX™ 4x4 SE PARTS LIST

Chassis Electrical Equipment

ITEM NAME	PART NUMBER	QUANTITY
BOLT-FLANGED,6X12 (Ref # 130)	130AA0612	1
BOLT-FLANGED,8X20 (Ref # 130A)	130BA0820	1
BOLT-FLANGED-SMALL,6X16 (Ref # 132)	132BA0616	1
METER-ASSY (Ref # 25031)	25031-0724	1
FUSE,MINI BLADE,10A,RED (Ref # 26006)	26006-0009	1
FUSE,MINI BLADE,30A,GREEN (Ref # 26006A)	26006-1080	1
FUSE,MINI BLADE,20A,YELLOW (Ref # 26006B)	26006-3704	1
WIRE-LEAD,BATTERY(-) (Ref # 26011)	26011-0923	1
WIRE-LEAD,BATTERY(+) (Ref # 26011A)	26011-0924	1
BATTERY,YB14A-A2,12V 14AH (Ref # 26012)	26012-0143	1
HARNESS,MAIN (Ref # 26031)	26031-1993	1
RELAY-ASSY (Ref # 27002)	27002-1088	1
HORN (Ref # 27003)	27003-1276	1
LABEL,FUSE BOX (Ref # 56030)	56030-0950	1
SCREW,6X16 (Ref # 92009)	92009-1621	1
NUT,FLANGED,8MM (Ref # 92015)	92015-1406	1
WASHER,6.5X20X1.6,BLACK (Ref # 92022)	92022-1346	1
CLAMP,HARNESS,L=100 (Ref # 92037)	92037-1636	1
BAND,L=188 (Ref # 92072)	92072-1239	1
BAND,OS170-FT7(BLACK) (Ref # 92072A)	92072-1414	1
BAND,BATTERY (Ref # 92072B)	92072-7507	1
DAMPER (Ref # 92075)	92075-1076	1
DAMPER (Ref # 92075A)	92075-1214	1
WIRE (Ref # 92086)	92086-1054	1
COLLAR (Ref # 92143)	92143-1087	1
BOLT,BATTERY (Ref # 92150)	92150-1293	1
CLAMP (Ref # 92171)	92171-0453	1
CLAMP,L=60 (Ref # 92171A)	92171-0652	1
CLAMP (Ref # 92171B)	92171-1365	1