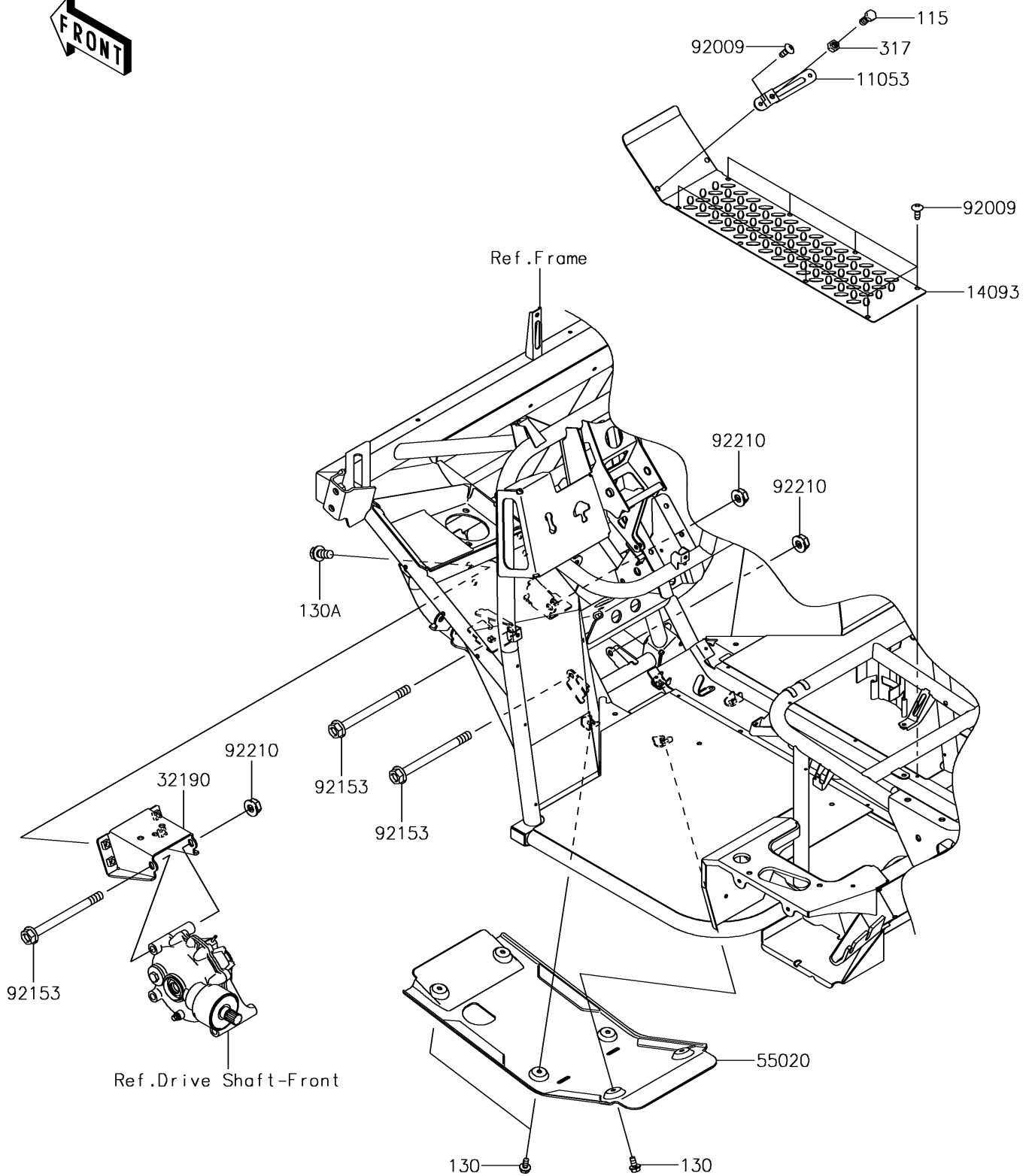


## 2017 MULE SX™ 4x4 SE PARTS DIAGRAM

Engine Mount

F2122



## 2017 MULE SX™ 4x4 SE PARTS LIST

Engine Mount

ITEM NAME	PART NUMBER	QUANTITY
BRACKET, THROTTLE LEVER (Ref # 11053)	11053-1670	1
BOLT-SMALL-UPSET, 8X20 (Ref # 115)	115BA0820	1
BOLT-FLANGED, 6X12 (Ref # 130)	130BA0612	1
BOLT-FLANGED, 10X20 (Ref # 130A)	130BA1020	1
COVER, FLOOR, CNT (Ref # 14093)	14093-0469	1
NUT-HEX-SMALL, 8MM (Ref # 317)	317BA0800	1
BRACKET-ENGINE (Ref # 32190)	32190-0639	1
GUARD, FRONT DIFF (Ref # 55020)	55020-0165	1
SCREW, TAPPING, 6X16 (Ref # 92009)	92009-1166	1
BOLT, FLANGED, 10X120 (Ref # 92153)	92153-7502	1
NUT, LOCK, FLANGED, 10MM (Ref # 92210)	92210-0276	1