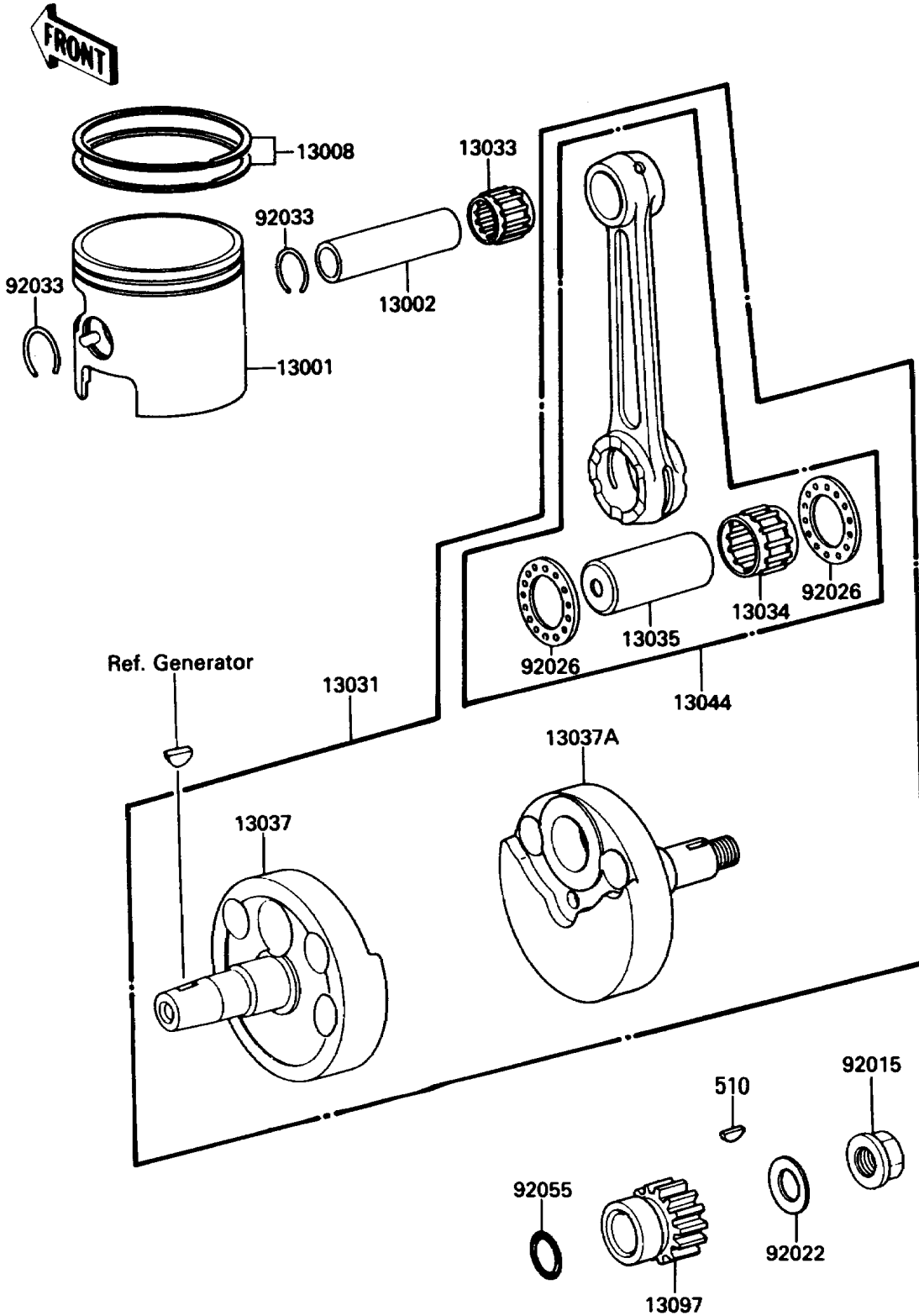


# 1988 KX125 PARTS DIAGRAM

Crankshaft/Piston(s)

E1320-0046



# 1988 KX125 PARTS LIST

## Crankshaft/Piston(s)

ITEM NAME	PART NUMBER	QUANTITY
PISTON-ENGINE (Ref # 13001)	13001-1266	1
PIN-PISTON (Ref # 13002)	13002-1066	1
RING-SET-PISTON (Ref # 13008)	13008-1096	1
CRANKSHAFT-COMP (Ref # 13031)	13031-1259	1
BEARING-SMALL END,KBK16X21 (Ref # 13033)	13033-1051	1
BEARING-BIG END,B4 (Ref # 13034)	13034-1081	1
PIN-CRANK (Ref # 13035)	13035-1010	1
CRANKSHAFT,LH (Ref # 13037)	13037-1321	1
CRANKSHAFT,RH (Ref # 13037A)	13037-1322	1
SET-CONNECTING ROD (Ref # 13044)	13044-5071	1
GEAR-PRIMARY SPUR,18T (Ref # 13097)	13097-1203	1
NUT,FLANGED,12MM (Ref # 92015)	92015-1156	1
WASHER (Ref # 92022)	92022-1831	1
SPACER,22.2X37X1.0 (Ref # 92026)	92026-1136	2
RING-SNAP,PISTON PIN (Ref # 92033)	92033-1242	2
RING-O (Ref # 92055)	92055-086	1
KEY-WOODRUFF (Ref # 510)	510A5100	1