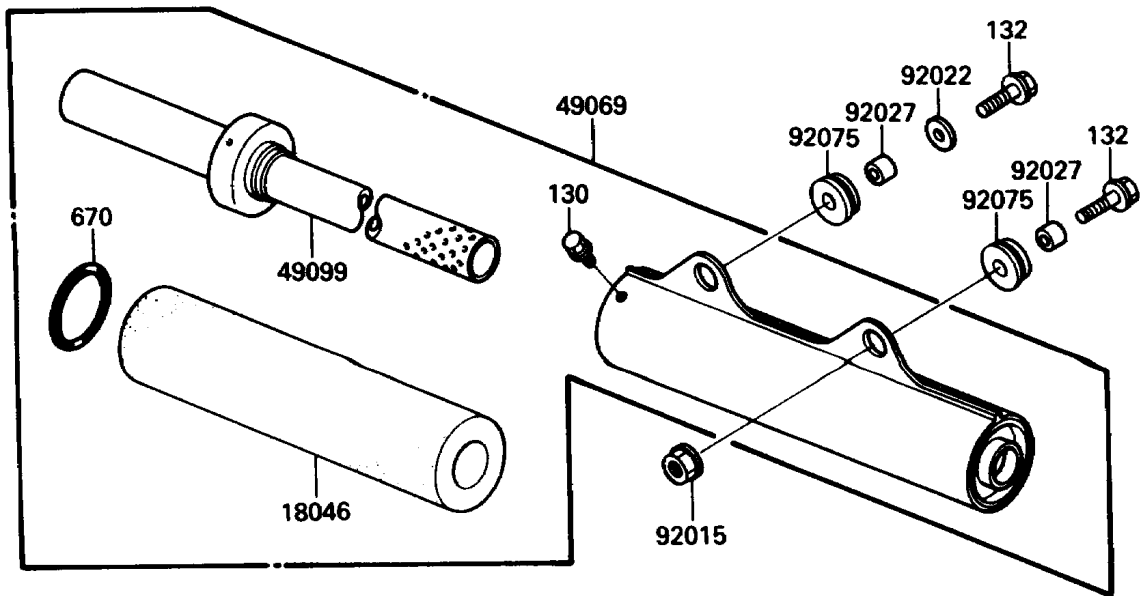
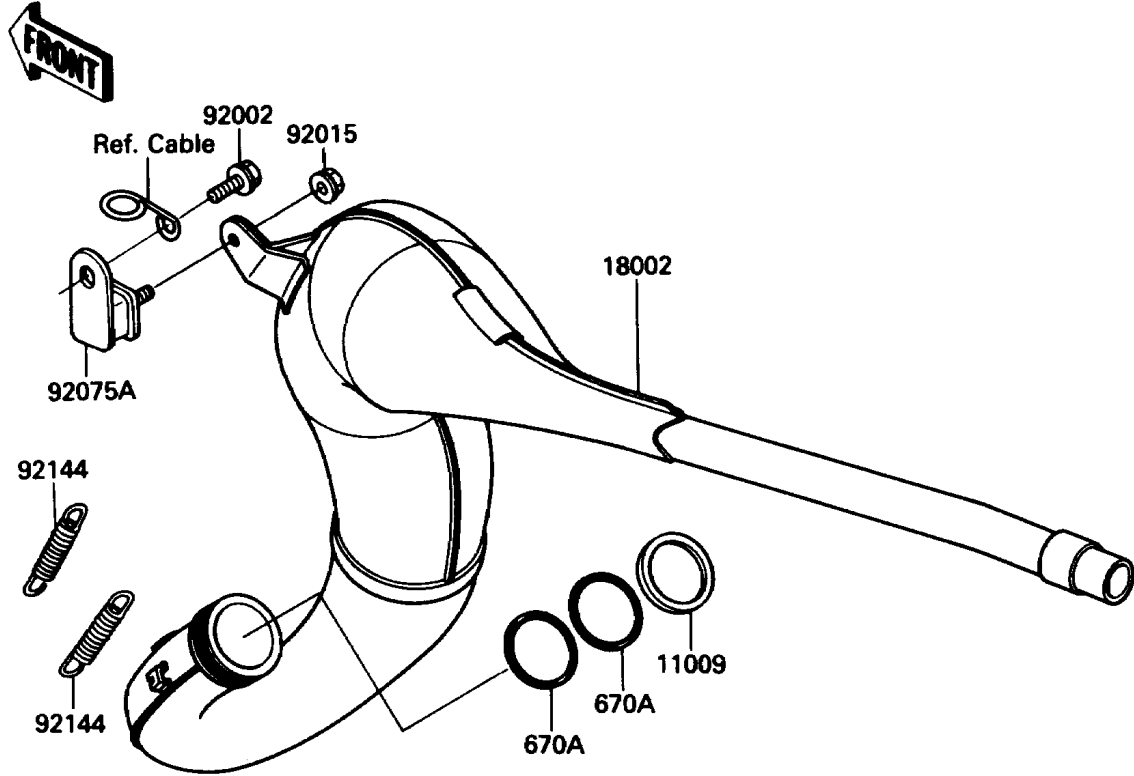


1988 KX125 PARTS DIAGRAM

Muffler(s)

E1140-0286



1988 KX125 PARTS LIST

Muffler(s)

ITEM NAME	PART NUMBER	QUANTITY
GASKET,EXHAUST PIPE (Ref # 11009)	11009-1618	1
BODY-COMP-MUFFLER (Ref # 18002)	18002-1797	1
WOOL,MUFFLER BAFFLE PIPE (Ref # 18046)	18046-1060	1
MUFFLER-ASSY (Ref # 49069)	49069-1087	1
BAFFLE-PIPE MUFFLER (Ref # 49099)	49099-1245	1
BOLT,6X14 (Ref # 92002)	92002-1460	1
NUT,FLANGED,6MM (Ref # 92015)	92015-1078	3
WASHER,6.5X22X1.6 (Ref # 92022)	92022-237	1
COLLAR,6.8X10X11.5 (Ref # 92027)	92027-1210	2
DAMPER,MUFFLER FITTING (Ref # 92075)	92075-1857	2
DAMPER,MUFFLER (Ref # 92075A)	92075-1891	1
SPRING (Ref # 92144)	92144-1035	2
BOLT-FLANGED (Ref # 130)	130G0508	2
BOLT-FLANGED-SMALL (Ref # 132)	132G0625	2
O RING (Ref # 670)	670B3048	1
O RING,39MM (Ref # 670A)	670E3039	2