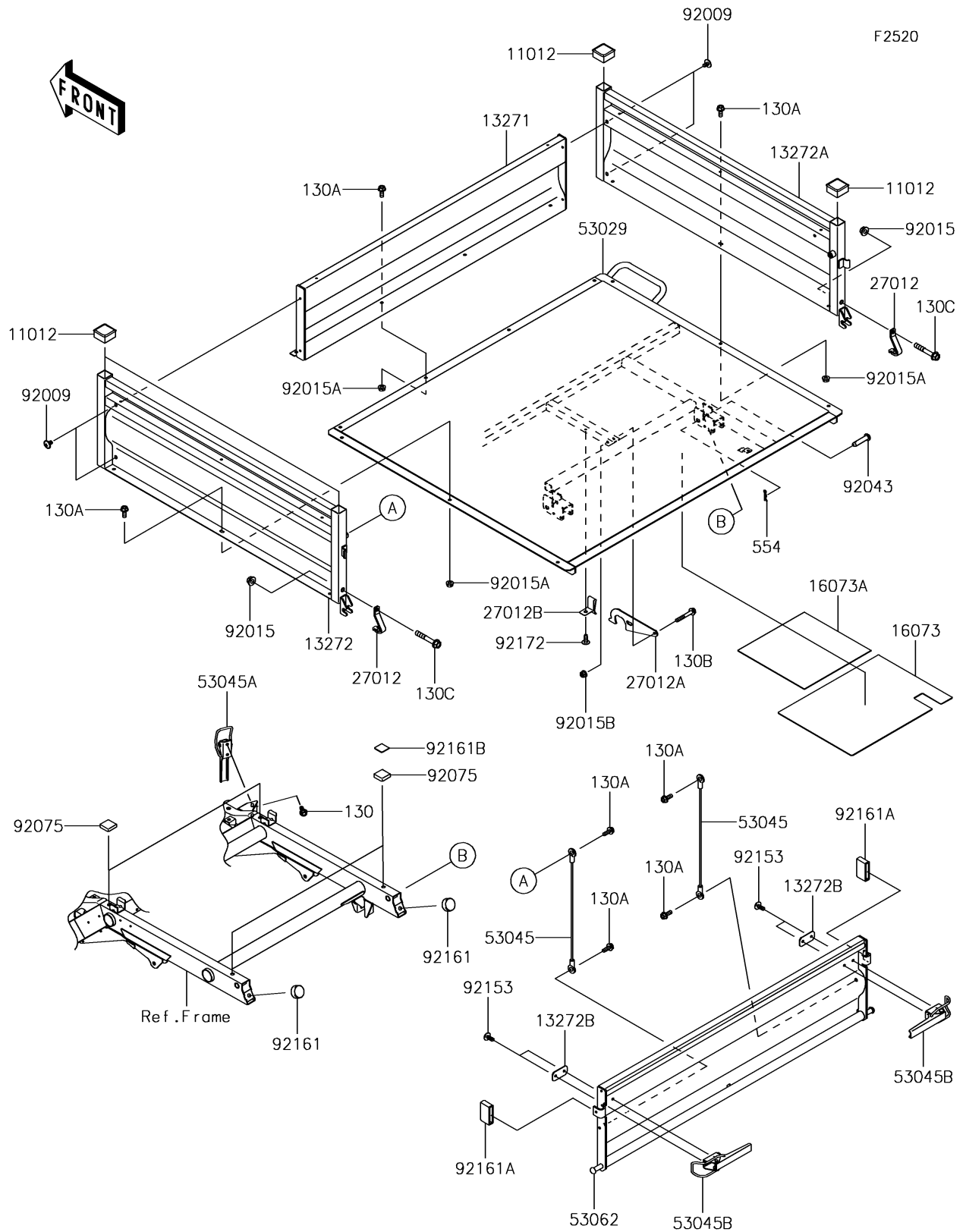


2017 MULE SX™ 4x4 XC SE PARTS DIAGRAM

Carrier(s)-(JK1AFEM1 KB503979)



2017 MULE SX™ 4x4 XC SE PARTS LIST

Carrier(s)-(JK1AFEM1 KB503979)

ITEM NAME	PART NUMBER	QUANTITY
CAP (Ref # 11012)	11012-1784	1
BOLT-FLANGED,6X14 (Ref # 130)	130BA0614	1
BOLT-FLANGED,6X16 (Ref # 130A)	130BA0616	1
BOLT-FLANGED,6X40 (Ref # 130B)	130BA0640	1
BOLT-FLANGED,8X50 (Ref # 130C)	130BA0850	1
PLATE,CARRIER,SIDE,FR,BLACK (Ref # 13271)	13271-0385-10	1
PLATE,SIDE CARRIER,LH,BLACK (Ref # 13272)	13272-2098-10	1
PLATE,SIDE CARRIER,RH,BLACK (Ref # 13272A)	13272-2099-10	1
PLATE (Ref # 13272B)	13272-7516	1
INSULATOR,295X400 (Ref # 16073)	16073-0849	1
INSULATOR,265X265 (Ref # 16073A)	16073-0850	1
HOOK,TAIL GATE (Ref # 27012)	27012-0022	1
HOOK (Ref # 27012A)	27012-0044	1
HOOK,CARRIER (Ref # 27012B)	27012-1445	1
CARRIER,BASE,T.BLACK (Ref # 53029)	53029-0345-388	1
HOOK-ASSY,CABLE (Ref # 53045)	53045-0030	1
HOOK-ASSY (Ref # 53045A)	53045-0032	1
HOOK-ASSY (Ref # 53045B)	53045-0033	1
GATE-TAIL,BLACK (Ref # 53062)	53062-0024-10	1
PIN-SNAP,12MM (Ref # 554)	554DA1200	1
SCREW,6X10 (Ref # 92009)	92009-1661	1
NUT,FLANGED,8MM (Ref # 92015)	92015-1014	1
NUT,FLANGED,6MM (Ref # 92015A)	92015-1367	1
NUT,LOCK,FLANGED,6MM (Ref # 92015B)	92015-1675	1
PIN,12X54 (Ref # 92043)	92043-1451	1
DAMPER (Ref # 92075)	92075-1882	1
BOLT,SOCKET,6X14 (Ref # 92153)	92153-1021	1
DAMPER,SEAT (Ref # 92161)	92161-1065	1
DAMPER (Ref # 92161A)	92161-7519	1

2017 MULE SX™ 4x4 XC SE PARTS LIST

Carrier(s)(-JK1AFEM1 KB503979)

ITEM NAME	PART NUMBER	QUANTITY
DAMPER (Ref # 92161B)	92161-7520	1
SCREW,TAPPING,6X16 (Ref # 92172)	92172-0739	1