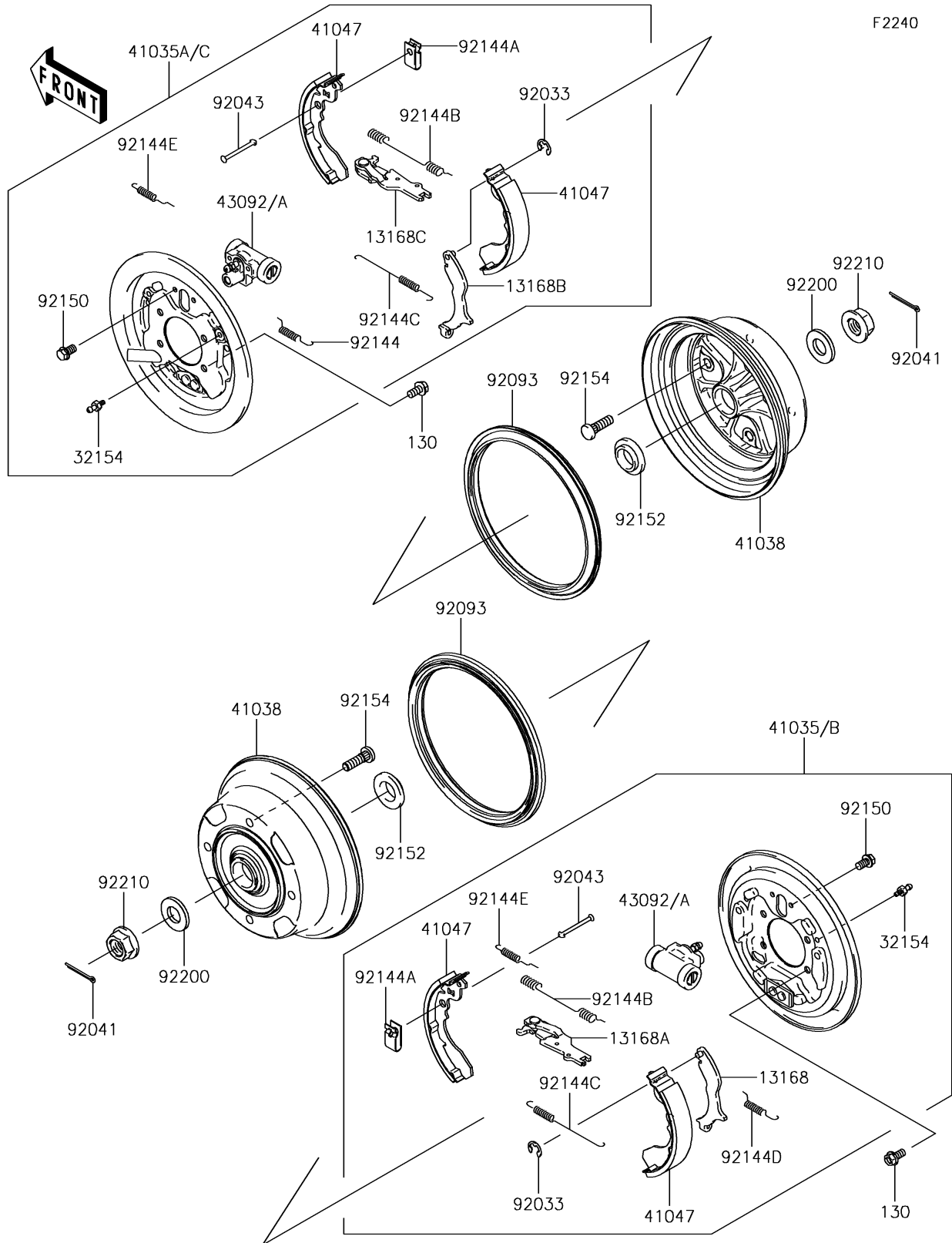


2017 MULE SX™ 4x4 XC PARTS DIAGRAM

Rear Hubs/Brakes



2017 MULE SX™ 4x4 XC PARTS LIST

Rear Hubs/Brakes

ITEM NAME	PART NUMBER	QUANTITY
BOLT-FLANGED,8X16 (Ref # 130)	130CA0816	1
LEVER,BRAKE,LH (Ref # 13168)	13168-0065	1
LEVER,BRAKE,LH (Ref # 13168A)	13168-0066	1
LEVER,BRAKE,RH (Ref # 13168B)	13168-0067	1
LEVER,BRAKE,RH (Ref # 13168C)	13168-0068	1
PIPE (Ref # 32154)	32154-0335	1
PANEL-ASSY-BRAKE,RR,LH (Ref # 41035B)	41035-7511	1
PANEL-ASSY-BRAKE,RR,RH (Ref # 41035C)	41035-7512	1
DRUM,REAR BRAKE (Ref # 41038)	41038-0018	1
SHOE-ASSY-BRAKE,RR (Ref # 41047)	41047-7501	1
CYLINDER,BRAKE (Ref # 43092)	43092-0002	1
RING-SNAP (Ref # 92033)	92033-1279	1
COTTER,4.0X35 (Ref # 92041)	92041-1053	1
PIN,SHOE HOLD (Ref # 92043)	92043-1460	1
SEAL,BS184.8X13.5-1 (Ref # 92093)	92093-0031	1
SPRING,RH (Ref # 92144)	92144-1608	1
SPRING,SHOE HOLD (Ref # 92144A)	92144-1609	1
SPRING,RETURN,UPP (Ref # 92144B)	92144-1612	1
SPRING,RETURN,LWR (Ref # 92144C)	92144-1613	1
SPRING,LH (Ref # 92144D)	92144-1614	1
SPRING (Ref # 92144E)	92144-1615	1
BOLT,FLANGED,6X10 (Ref # 92150)	92150-1664	1
COLLAR (Ref # 92152)	92152-0284	1
BOLT,10X34.6 (Ref # 92154)	92154-1482	1
WASHER,20.5X41.0X4.5 (Ref # 92200)	92200-1795	1
NUT,FLANGED,20MM (Ref # 92210)	92210-2093	1