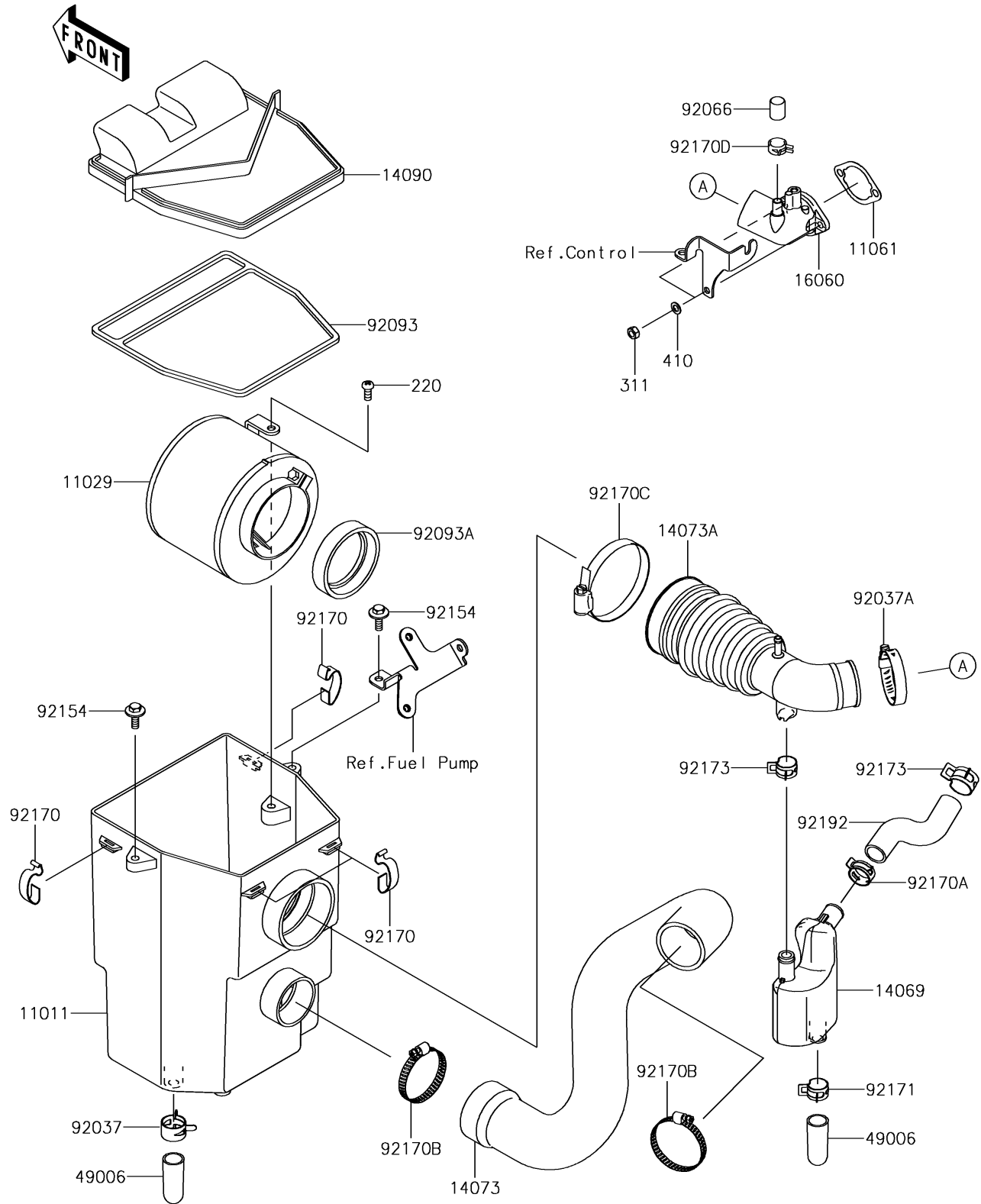


2017 MULE SX™ 4x4 XC PARTS DIAGRAM

Air Cleaner(KHF/KJF)(CN)

E1130A



2017 MULE SX™ 4x4 XC PARTS LIST

Air Cleaner(KHF/KJF)(CN)

ITEM NAME	PART NUMBER	QUANTITY
CASE-AIR FILTER (Ref # 11011)	11011-1367	1
ELEMENT-ASSY-AIR FILTER (Ref # 11029)	11029-1004	1
GASKET,CHOKE (Ref # 11061)	11061-7026	1
BREATHER (Ref # 14069)	14069-0030	1
DUCT,FRAME-AIR FILTER (Ref # 14073)	14073-0072	1
DUCT,AIR FILTER-IN.PIPE (Ref # 14073A)	14073-0818	1
COVER,AIR FILTER (Ref # 14090)	14090-1106	1
PIPE-INTAKE (Ref # 16060)	16060-2224	1
BOOT (Ref # 49006)	49006-1351	1
CLAMP,HOSE CLIP (Ref # 92037)	92037-1460	1
CLAMP (Ref # 92037A)	92037-506	1
PLUG (Ref # 92066)	92066-0829	1
SEAL,AIR FILTER (Ref # 92093)	92093-1241	1
SEAL,DUST (Ref # 92093A)	92093-1322	1
BOLT,WP,6X20 (Ref # 92154)	92154-1516	1
CLAMP,AIR FILTER (Ref # 92170)	92170-1211	1
CLAMP (Ref # 92170A)	92170-1640	1
CLAMP (Ref # 92170B)	92170-1674	1
CLAMP (Ref # 92170C)	92170-1679	1
CLAMP (Ref # 92170D)	92170-7003	1
SCREW-PAN-CROS,6X14 (Ref # 220)	220AA0614	1
NUT-HEX,6MM (Ref # 311)	311AA0600	1
WASHER-PLAIN-SMALL (Ref # 410)	410AA0600	1
CLAMP (Ref # 92171)	92171-1277	1
CLAMP (Ref # 92173)	92173-7003	1
TUBE,BREATHER (Ref # 92192)	92192-1465	1