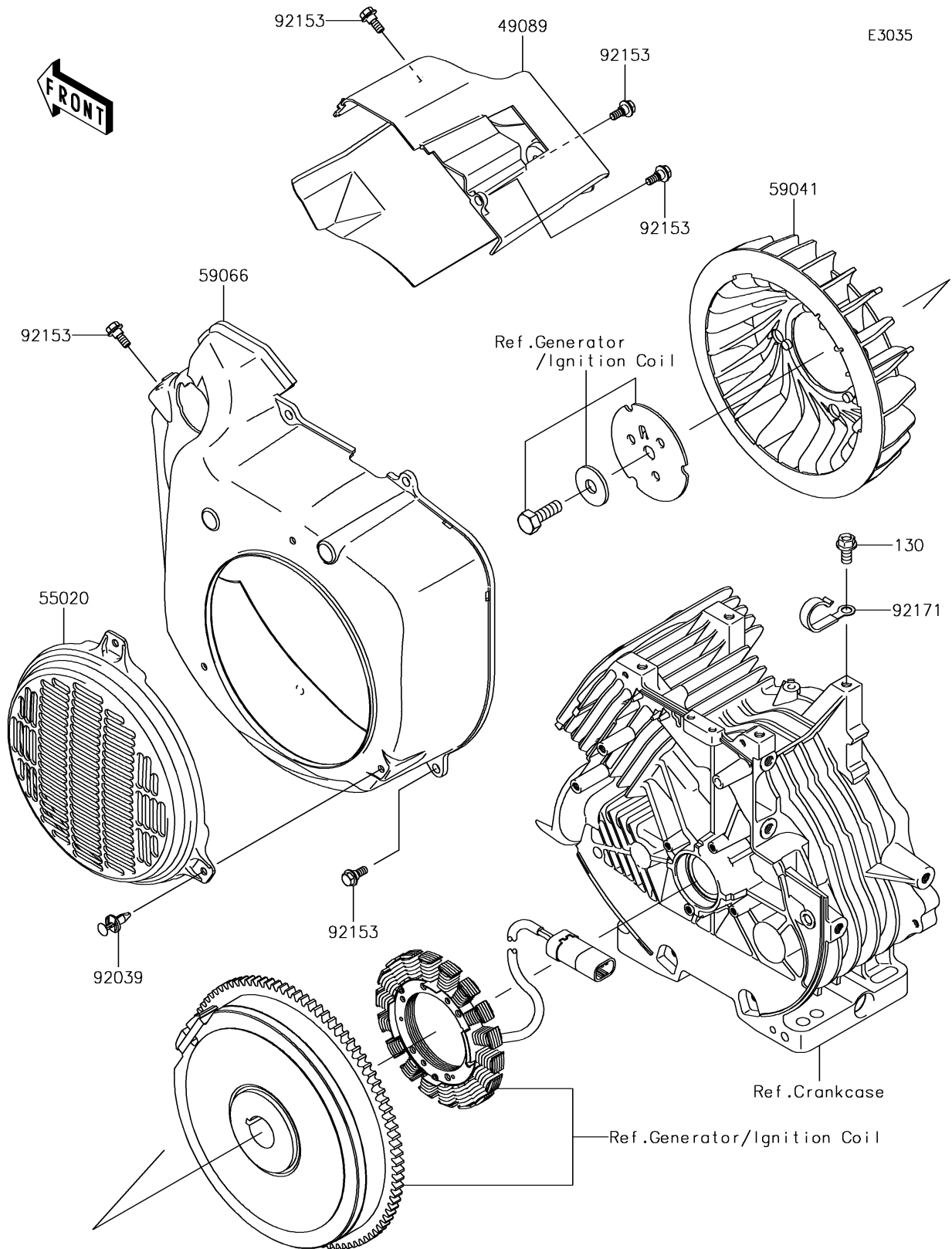


2018 MULE SX™ PARTS DIAGRAM

Cooling



2018 MULE SX™ PARTS LIST

Cooling

ITEM NAME	PART NUMBER	QUANTITY
BOLT-FLANGED,8X16 (Ref # 130)	130AA0816	1
SHROUD-ENGINE (Ref # 49089)	49089-7089	1
GUARD (Ref # 55020)	55020-7008	1
FAN (Ref # 59041)	59041-0014	1
HOUSING-FAN (Ref # 59066)	59066-7060	1
RIVET,GUARD (Ref # 92039)	92039-0751	1
BOLT,FLANGED,6X16 (Ref # 92153)	92153-7007	1
CLAMP (Ref # 92171)	92171-7005	1