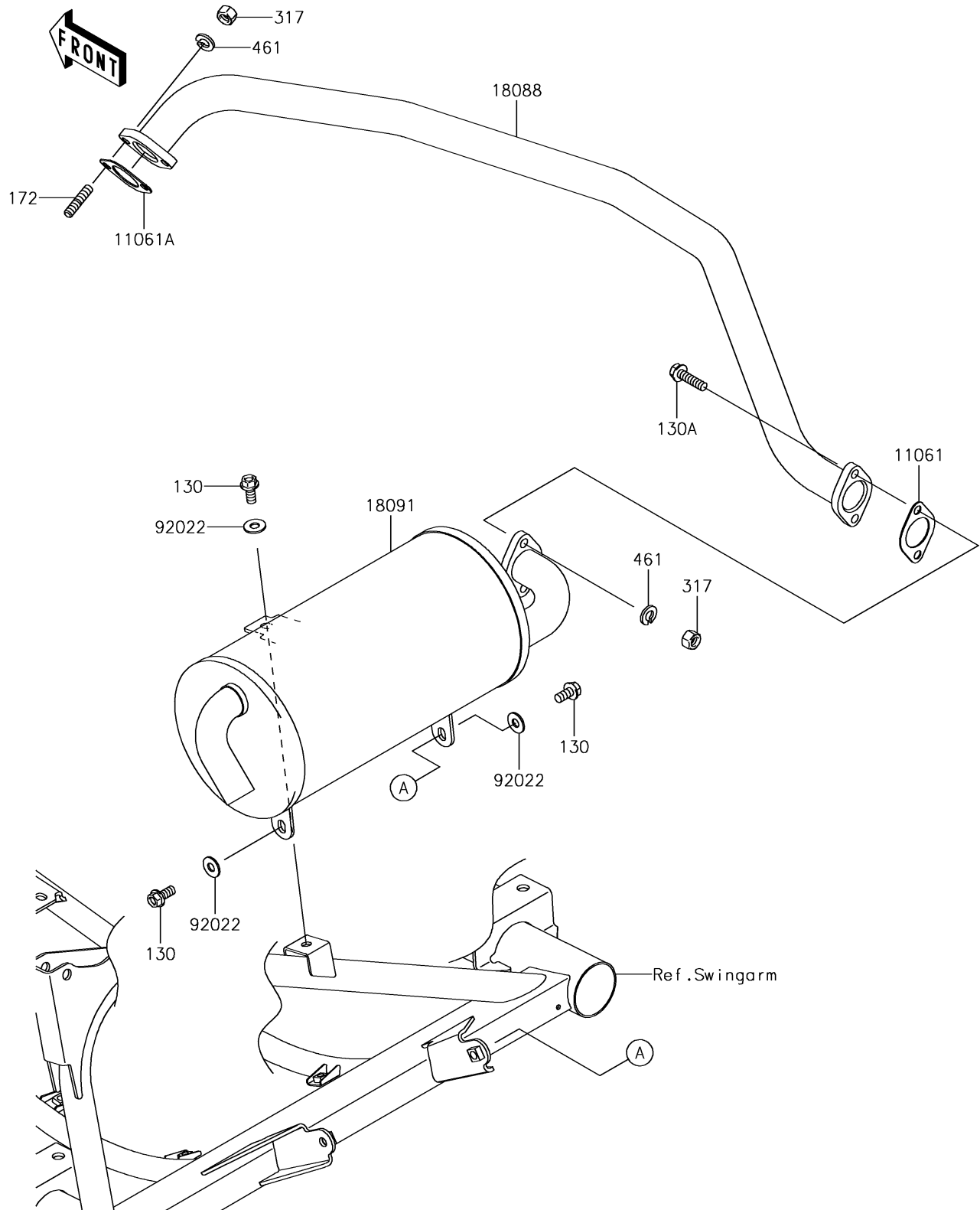


2018 MULE SX™ PARTS DIAGRAM

Muffler(s)

E1140



2018 MULE SX™ PARTS LIST

Muffler(s)

| ITEM NAME | PART NUMBER | QUANTITY |
|---------------------------------|-------------|----------|
| GASKET (Ref # 11061) | 11061-0132 | 1 |
| GASKET (Ref # 11061A) | 11061-0133 | 1 |
| BOLT-FLANGED,8X16 (Ref # 130) | 130CA0816 | 1 |
| BOLT-FLANGED,8X30 (Ref # 130A) | 130CA0830 | 1 |
| BOLT-STUD,8X22 (Ref # 172) | 172BA0822 | 1 |
| PIPE-EXHAUST (Ref # 18088) | 18088-0192 | 1 |
| BODY-COMP-MUFFLER (Ref # 18091) | 18091-0487 | 1 |
| NUT-HEX-SMALL,8MM (Ref # 317) | 317R0800 | 1 |
| WASHER-SPRING,8MM (Ref # 461) | 461DA0800 | 1 |
| WASHER,8.5X20X1.6 (Ref # 92022) | 92022-1561 | 1 |