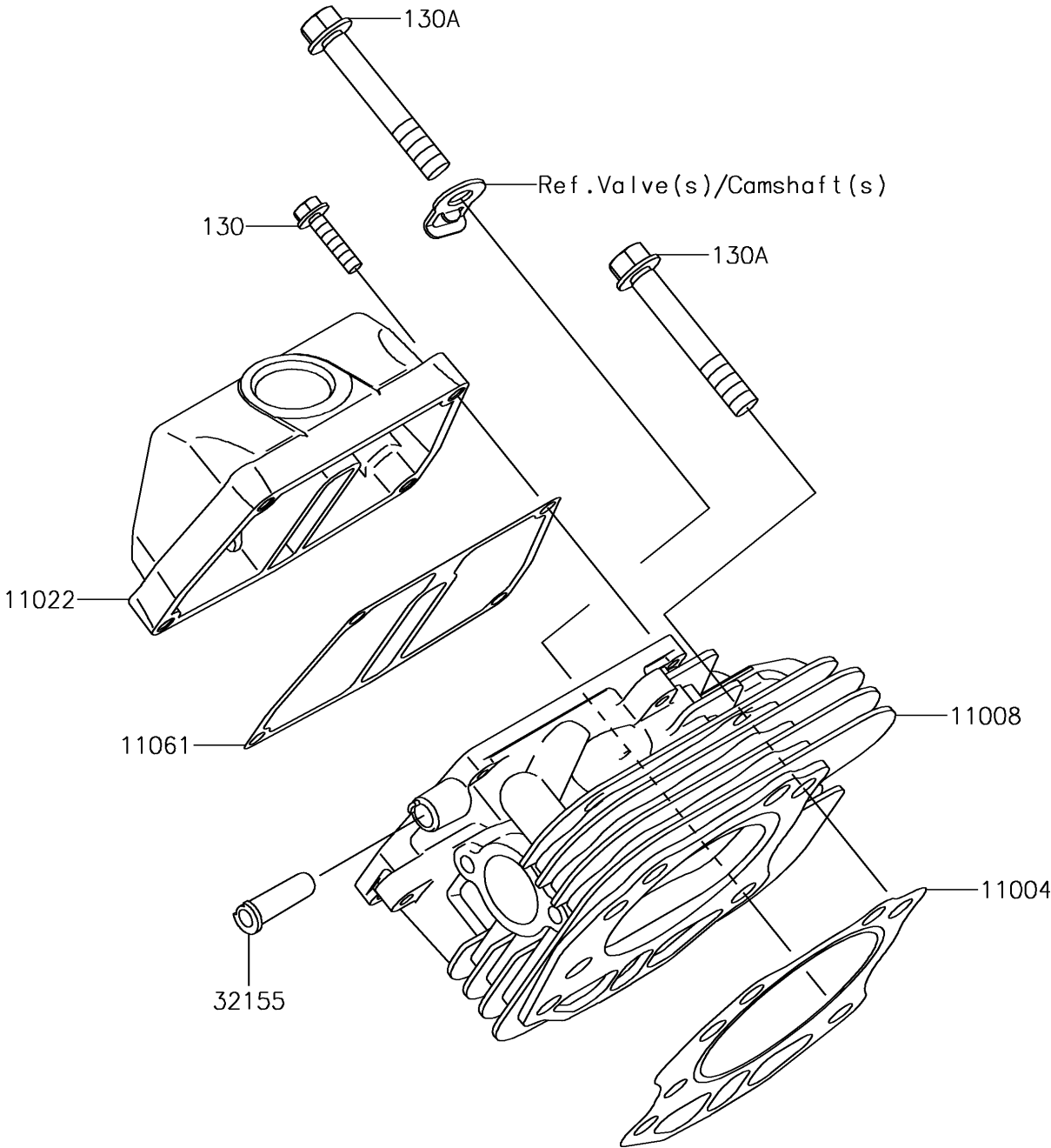


## 2019 MULE SX™ PARTS DIAGRAM

Cylinder Head

E1111



## 2019 MULE SX™ PARTS LIST

Cylinder Head

ITEM NAME	PART NUMBER	QUANTITY
GASKET-HEAD (Ref # 11004)	11004-7017	1
HEAD-COMP-CYLINDER (Ref # 11008)	11008-7033	1
CASE-ROCKER (Ref # 11022)	11022-0045	1
GASKET,CASE-ROCKER (Ref # 11061)	11061-7041	1
BOLT-FLANGED,6X25 (Ref # 130)	130BA0625	1
BOLT-FLANGED,10X65 (Ref # 130A)	130CA1065	1
PIPE,HEAD-CYLINDER (Ref # 32155)	32155-2213	1