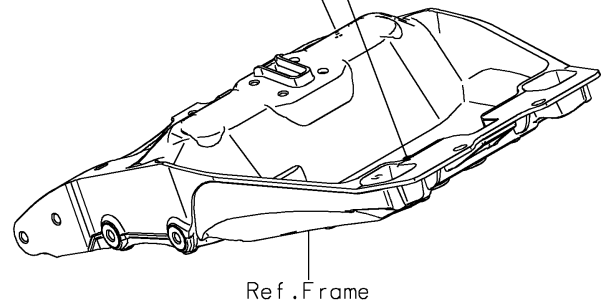
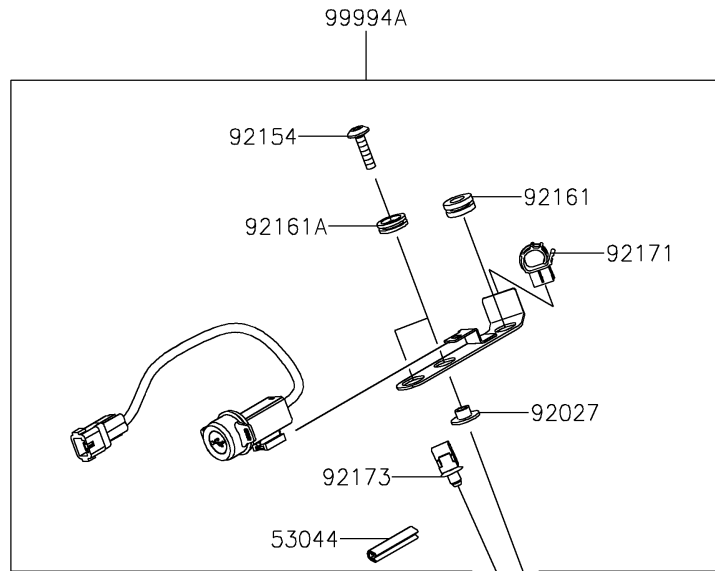
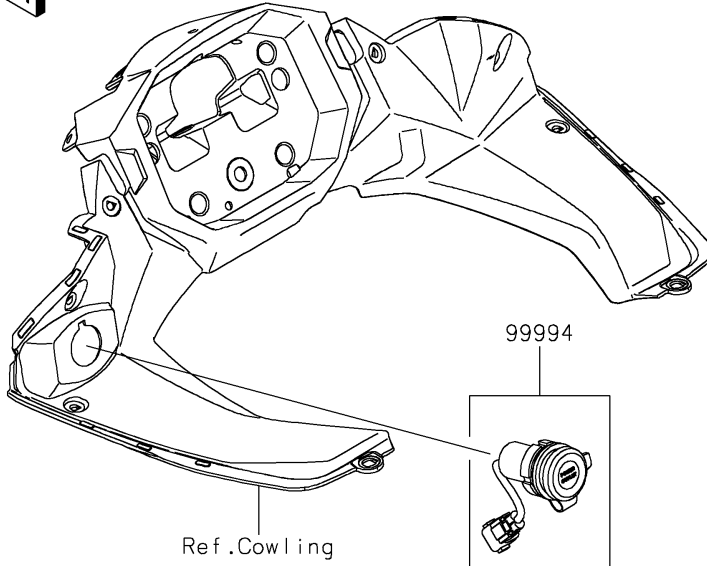


2020 NINJA® 1000SX PARTS DIAGRAM

Accessory(DC and USB Socket)

F2910G



2020 NINJA® 1000SX PARTS LIST

Accessory(DC and USB Socket)

| ITEM NAME | PART NUMBER | QUANTITY |
|--------------------------------|-------------|----------|
| TRIM,L=40 (Ref # 53044) | 53044-0012 | 1 |
| COLLAR,L=7 (Ref # 92027) | 92027-153 | 2 |
| BOLT,SOCKET,6X25 (Ref # 92154) | 92154-1629 | 2 |
| DAMPER (Ref # 92161) | 92161-0154 | 1 |
| DAMPER,10X20X6 (Ref # 92161A) | 92161-1592 | 2 |
| CLAMP,EDGE CLIP (Ref # 92171) | 92171-1722 | 1 |
| CLAMP,12MM DIA. (Ref # 92173) | 92173-0736 | 1 |
| DC 12V OUTLET (Ref # 99994) | 99994-1413 | 1 |
| USB-OUTLET (Ref # 99994A) | 99994-1459 | 1 |