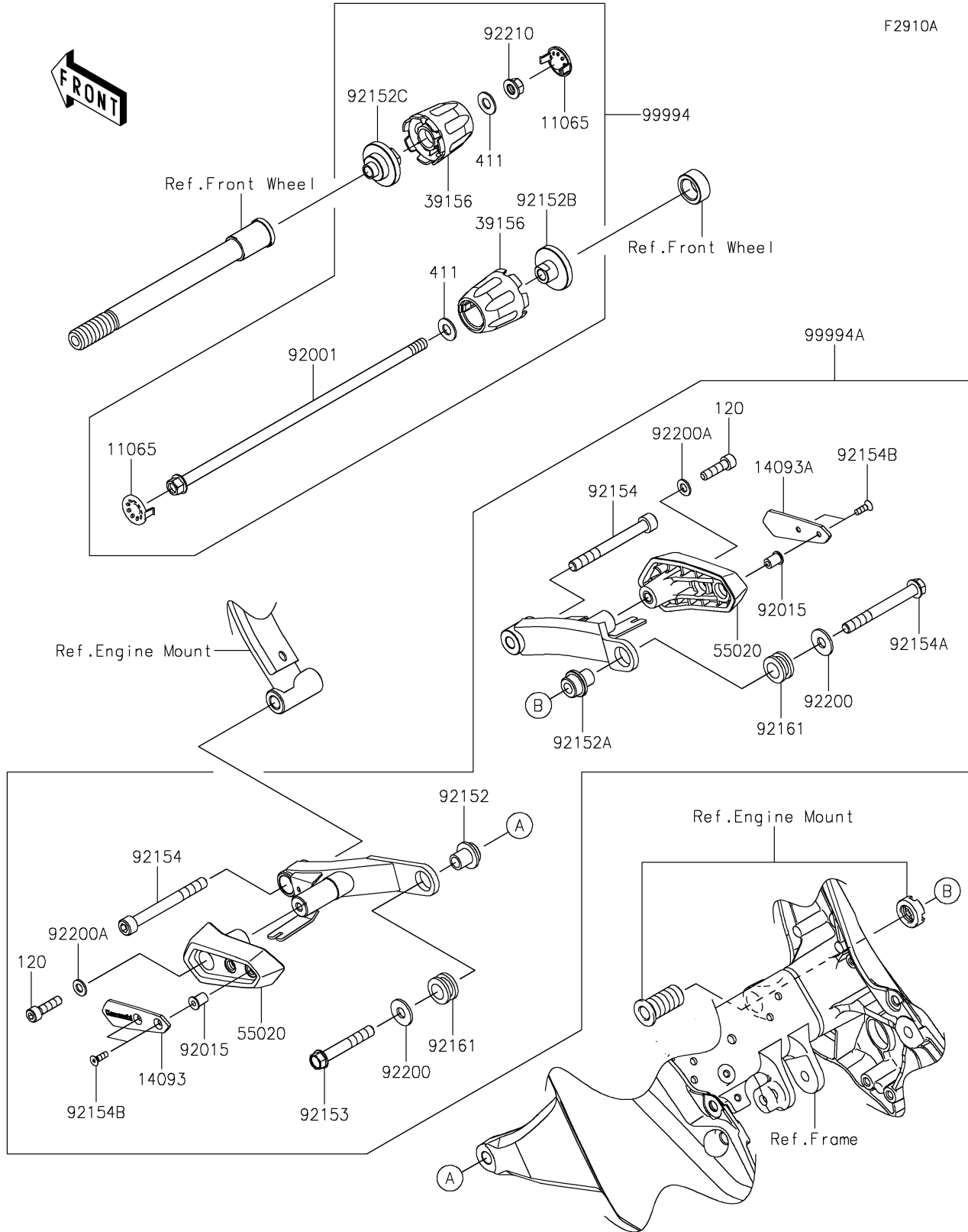


2020 NINJA® 1000SX PARTS DIAGRAM

Accessory(Slider)



2020 NINJA® 1000SX PARTS LIST

Accessory(Slider)

| ITEM NAME | PART NUMBER | QUANTITY |
|---|----------------|----------|
| CAP,B.SILVER (Ref # 11065) | 11065-1313-54N | 2 |
| BOLT-SOCKET,8X30 (Ref # 120) | 120CA0830 | 2 |
| COVER,SLIDER,LH (Ref # 14093) | 14093-0350 | 1 |
| COVER,SLIDER,RH (Ref # 14093A) | 14093-0351 | 1 |
| PAD,AXLE SLIDER (Ref # 39156) | 39156-2212 | 2 |
| WASHER-PLAIN,10MM (Ref # 411) | 411AA1000 | 2 |
| GUARD (Ref # 55020) | 55020-1997 | 2 |
| BOLT,FLANGED,10X320,BLACK (Ref # 92001) | 92001-1624 | 1 |
| NUT,WELL,5MM (Ref # 92015) | 92015-1757 | 4 |
| COLLAR,RR,LH (Ref # 92152) | 92152-1519 | 1 |
| COLLAR,RR,RH (Ref # 92152A) | 92152-1520 | 1 |
| COLLAR,LH,L=25.5 (Ref # 92152B) | 92152-2305 | 1 |
| COLLAR,RH,L=34.1 (Ref # 92152C) | 92152-2307 | 1 |
| BOLT,FLANGED,10X65 (Ref # 92153) | 92153-1931 | 1 |
| BOLT,SOCKET,10X95 (Ref # 92154) | 92154-0447 | 2 |
| BOLT,FLANGED,10X90 (Ref # 92154A) | 92154-0448 | 1 |
| BOLT,SOCKET,5X16 (Ref # 92154B) | 92154-1014 | 4 |
| DAMPER,15.5X26X14.5 (Ref # 92161) | 92161-1361 | 2 |
| WASHER,10.5X26X2.3 (Ref # 92200) | 92200-0088 | 2 |
| WASHER,8.4X16X1.6 (Ref # 92200A) | 92200-0807 | 2 |
| NUT,LOCK,FLANGED,10MM (Ref # 92210) | 92210-1139 | 1 |
| KIT,FRONT AXLE SLIDER (Ref # 99994) | 99994-1276 | 1 |
| FRAME SLIDER (Ref # 99994A) | 99994-1411 | 1 |