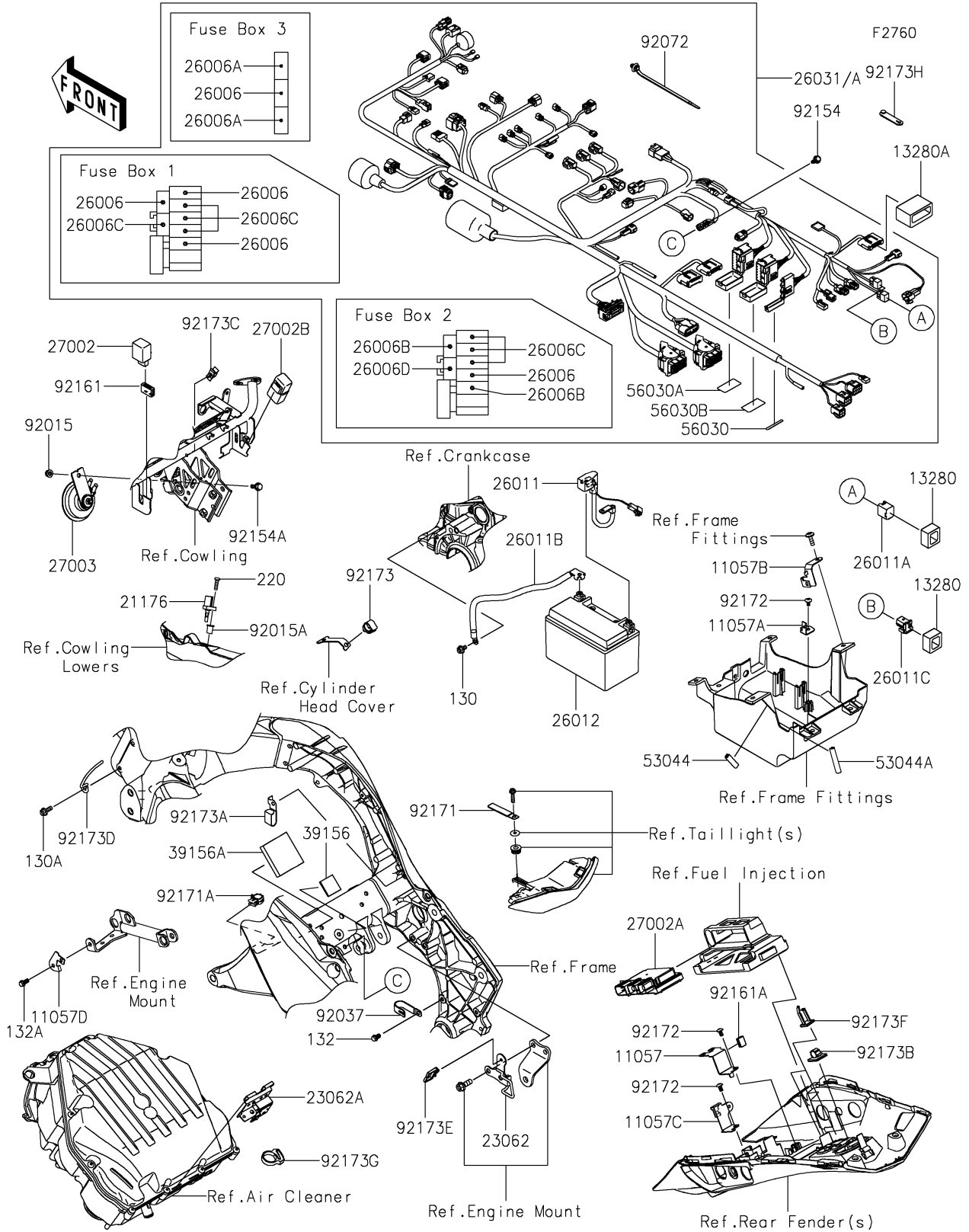


2020 NINJA® 1000SX PARTS DIAGRAM

Chassis Electrical Equipment



2020 NINJA® 1000SX PARTS LIST

Chassis Electrical Equipment

ITEM NAME	PART NUMBER	QUANTITY
BRACKET,RR SIGNAL LAMP (Ref # 11057)	11057-2891	1
BRACKET,BATTERY(+) (Ref # 11057A)	11057-2892	1
BRACKET,FUEL PUMP (Ref # 11057B)	11057-2893	1
BRACKET (Ref # 11057C)	11057-2894	1
BRACKET,QUICK-SHIFTER CONNECTO (Ref # 11057D)	11057-2907	1
HOLDER,DIAG CONNECTOR (Ref # 13280)	13280-0959	2
HOLDER (Ref # 13280A)	13280-0994	1
SENSOR,AIR TEMPERATURE (Ref # 21176)	21176-0048	1
BRACKET-COMP,CABLE GUIDE (Ref # 23062)	23062-0811	1
BRACKET-COMP,O2 SENSOR (Ref # 23062A)	23062-1263	1
FUSE,MINI BLADE,15A,BLUE (Ref # 26006)	26006-0001	5
FUSE,MINI BLADE,25A,NATURAL (Ref # 26006A)	26006-0020	2
FUSE,MINI BLADE,3A,VIOLET (Ref # 26006B)	26006-0054	2
FUSE,MINI BLADE,10A,RED (Ref # 26006C)	26006-1078	7
FUSE,MINI BLADE,30A,GREEN (Ref # 26006D)	26006-1080	1
WIRE-LEAD,BATTERY(+) (Ref # 26011)	26011-0252	1
WIRE-LEAD,CONNECTOR COVER (Ref # 26011A)	26011-0275	1
WIRE-LEAD,BATTERY(-) (Ref # 26011B)	26011-0822	1
WIRE-LEAD,DIAG CONNECTOR (Ref # 26011C)	26011-1901	1
BATTERY,YTX9-BS,12V 8AH (Ref # 26012)	26012-0838	1
HARNESS,MAIN (Ref # 26031A)	26031-2865	1
RELAY-ASSY,SIGNAL LAMP (Ref # 27002)	27002-0006	1
RELAY-ASSY (Ref # 27002A)	27002-0042	1
RELAY-ASSY (Ref # 27002B)	27002-1086	1
HORN (Ref # 27003)	27003-0126	1
PAD,30X30X3 (Ref # 39156)	39156-1766	1
PAD,60X60X10 (Ref # 39156A)	39156-2216	1
TRIM,L=30 (Ref # 53044)	53044-0001	1
TRIM,L=40 (Ref # 53044A)	53044-0012	1

2020 NINJA® 1000SX PARTS LIST

Chassis Electrical Equipment

ITEM NAME	PART NUMBER	QUANTITY
LABEL,FUSE BOX3 (Ref # 56030)	56030-0400	1
LABEL,FUSE BOX1 (Ref # 56030A)	56030-1376	1
LABEL,FUSE BOX2 (Ref # 56030B)	56030-1528	1
NUT,FLANGED,6MM (Ref # 92015)	92015-1367	1
NUT,WELL,5MM (Ref # 92015A)	92015-1757	1
CLAMP,CABLE,STEEL SHEET (Ref # 92037)	92037-2014	1
BAND,OS170-FT7(BLACK) (Ref # 92072)	92072-1414	AR
BOLT,FLANGED,6X16 (Ref # 92154)	92154-0551	1
BOLT-FLANGED,6X10 (Ref # 130)	130BA0610	1
BOLT-FLANGED,6X16 (Ref # 130A)	130BB0616	1
BOLT-FLANGED-SMALL,6X10 (Ref # 132)	132BA0610	1
BOLT-FLANGED-SMALL,6X12 (Ref # 132A)	132BA0612	1
SCREW-PAN-CROS,5X18 (Ref # 220)	220AB0518	1
BOLT,FLANGED,6X16 (Ref # 92154A)	92154-1851	1
DAMPER,SIGNAL RELAY (Ref # 92161)	92161-0283	1
DAMPER,16X23X2 (Ref # 92161A)	92161-1696	1
CLAMP,L=60 (Ref # 92171)	92171-0652	1
CLAMP,EDGE CLIP (Ref # 92171A)	92171-1722	1
SCREW,TAPPING,5X10 (Ref # 92172)	92172-0262	3
CLAMP,12MM DIA. (Ref # 92173)	92173-0736	1
CLAMP,84MM (Ref # 92173A)	92173-1008	1
CLAMP,DRAIN (Ref # 92173B)	92173-1055	1
CLAMP (Ref # 92173C)	92173-1163	1
CLAMP,IRON WIRE (Ref # 92173D)	92173-1199	1
CLAMP,CABLE CLIP (Ref # 92173E)	92173-1242	1
CLAMP,LOCKING WIRE SADDLE (Ref # 92173F)	92173-1269	2
CLAMP,SNP-22-0W (Ref # 92173G)	92173-1632	1
CLAMP (Ref # 92173H)	92173-2198	1