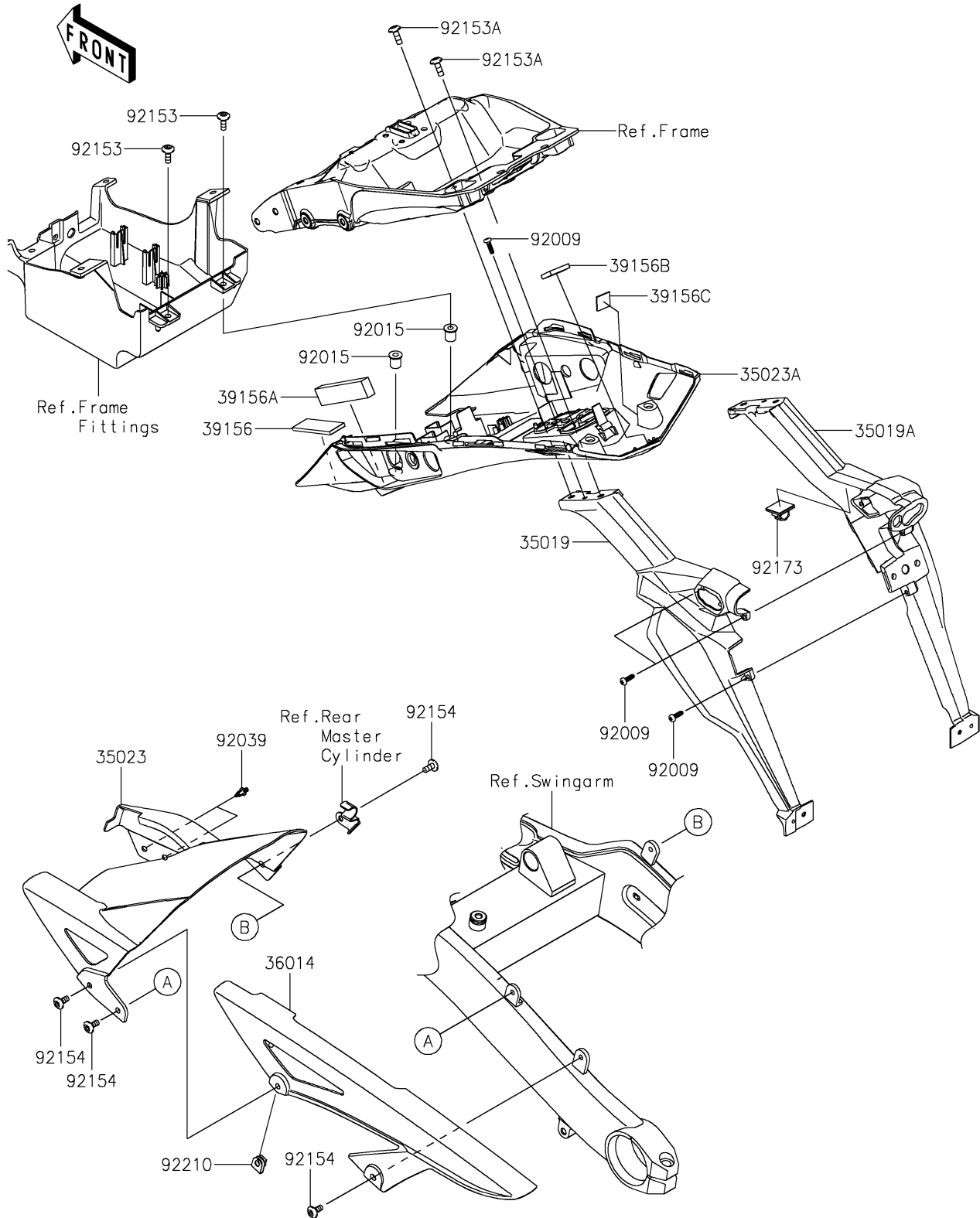


2020 NINJA® 1000SX PARTS DIAGRAM

Rear Fender(s)

F2172



2020 NINJA® 1000SX PARTS LIST

Rear Fender(s)

| ITEM NAME | PART NUMBER | QUANTITY |
|----------------------------------|-------------|----------|
| FLAP,LH (Ref # 35019) | 35019-0643 | 1 |
| FLAP,RH (Ref # 35019A) | 35019-0644 | 1 |
| FENDER-REAR,INNER (Ref # 35023) | 35023-0424 | 1 |
| FENDER-REAR (Ref # 35023A) | 35023-0467 | 1 |
| CASE-CHAIN (Ref # 36014) | 36014-0029 | 1 |
| PAD,25X70X4 (Ref # 39156) | 39156-0748 | 1 |
| PAD,12X95X22 (Ref # 39156A) | 39156-1821 | 1 |
| PAD,20X30X5 (Ref # 39156B) | 39156-2178 | 1 |
| PAD,20X20X1 (Ref # 39156C) | 39156-2288 | 1 |
| SCREW,TAPPING,5X16 (Ref # 92009) | 92009-1984 | 5 |
| NUT (Ref # 92015) | 92015-1700 | 2 |
| RIVET (Ref # 92039) | 92039-0060 | 2 |
| BOLT,6X18 (Ref # 92153) | 92153-0816 | 2 |
| BOLT,SOCKET,6X18 (Ref # 92153A) | 92153-1675 | 4 |
| BOLT,SOCKET,6X14 (Ref # 92154) | 92154-0745 | 4 |
| CLAMP,DRAIN (Ref # 92173) | 92173-1055 | 1 |
| NUT,6MM (Ref # 92210) | 92210-0277 | 1 |