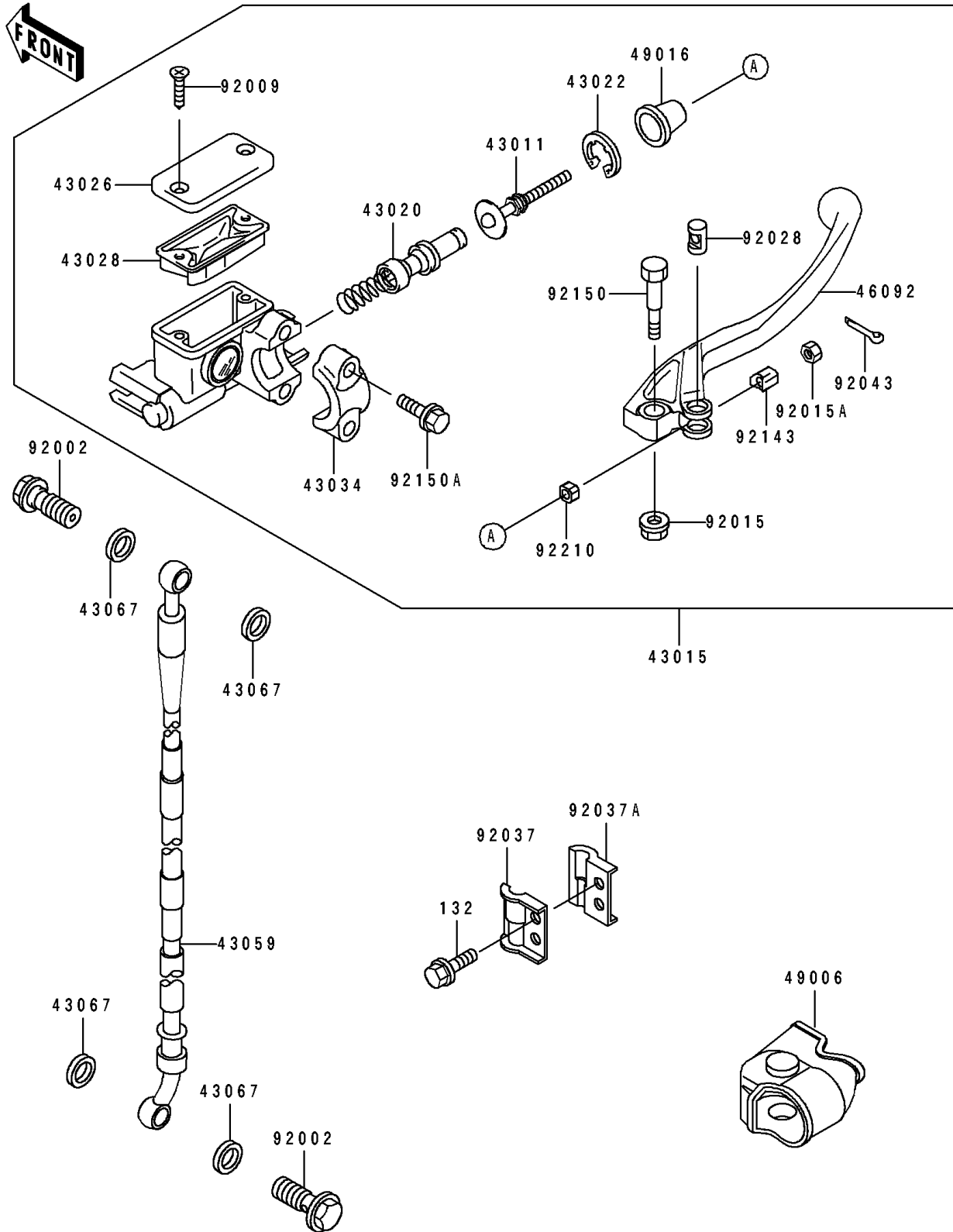


# 1997 KX100 PARTS DIAGRAM

Front Master Cylinder(KX100-B7)

F2291A



# 1997 KX100 PARTS LIST

## Front Master Cylinder(KX100-B7)

ITEM NAME	PART NUMBER	QUANTITY
ROD-BRAKE,FR MASTER CYLINDER (Ref # 43011)	43011-1166	1
CYLINDER-ASSY-MASTER,FR (Ref # 43015)	43015-1594	1
PISTON-COMP-BRAKE (Ref # 43020)	43020-1115	1
STOPPER-BRAKE,PISTON (Ref # 43022)	43022-1010	1
CAP-BRAKE (Ref # 43026)	43026-1075	1
DIAPHRAGM (Ref # 43028)	43028-1067	1
HOLDER-BRAKE (Ref # 43034)	43034-1110	1
HOSE-BRAKE,FR (Ref # 43059)	43059-1966	1
WASHER,10.5X15X1.5 (Ref # 43067)	43067-001	4
LEVER-GRIP,FRONT BRAKE (Ref # 46092)	46092-1191	1
BOOT,FRONT BRAKE LEVER (Ref # 49006)	49006-1286	1
COVER-SEAL,MASTER CYLINDER (Ref # 49016)	49016-1044	1
BOLT,OIL,L=23 (Ref # 92002)	92002-1888	2
SCREW,4MM (Ref # 92009)	92009-1458	2
NUT,FLANGED,6MM (Ref # 92015)	92015-1528	1
NUT,ADJUST (Ref # 92015A)	92015-1642	1
BUSHING (Ref # 92028)	92028-1792	1
CLAMP,BRAKE HOSE,OUTSIDE (Ref # 92037)	92037-1362	1
CLAMP,BRAKE HOSE,INSIDE (Ref # 92037A)	92037-1363	1
PIN (Ref # 92043)	92043-1539	1
COLLAR (Ref # 92143)	92143-1882	1
BOLT (Ref # 92150)	92150-1451	1
BOLT (Ref # 92150A)	92150-1452	2
NUT,ADJUST (Ref # 92210)	92210-1064	1
BOLT-FLANGED-SMALL (Ref # 132)	132G0616	2