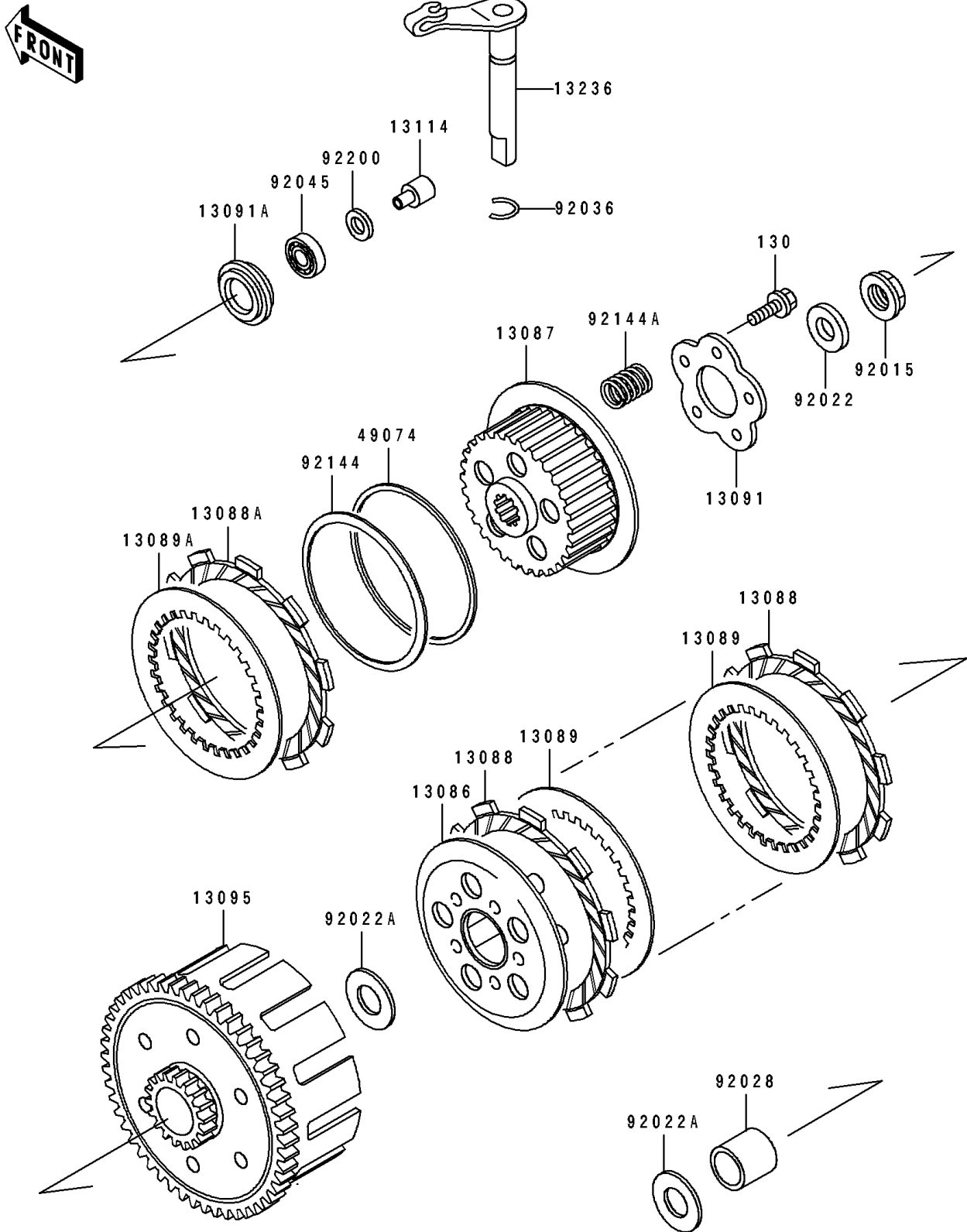


1997 KX100 PARTS DIAGRAM

Clutch

E1350



1997 KX100 PARTS LIST

Clutch

ITEM NAME	PART NUMBER	QUANTITY
-----------	-------------	----------