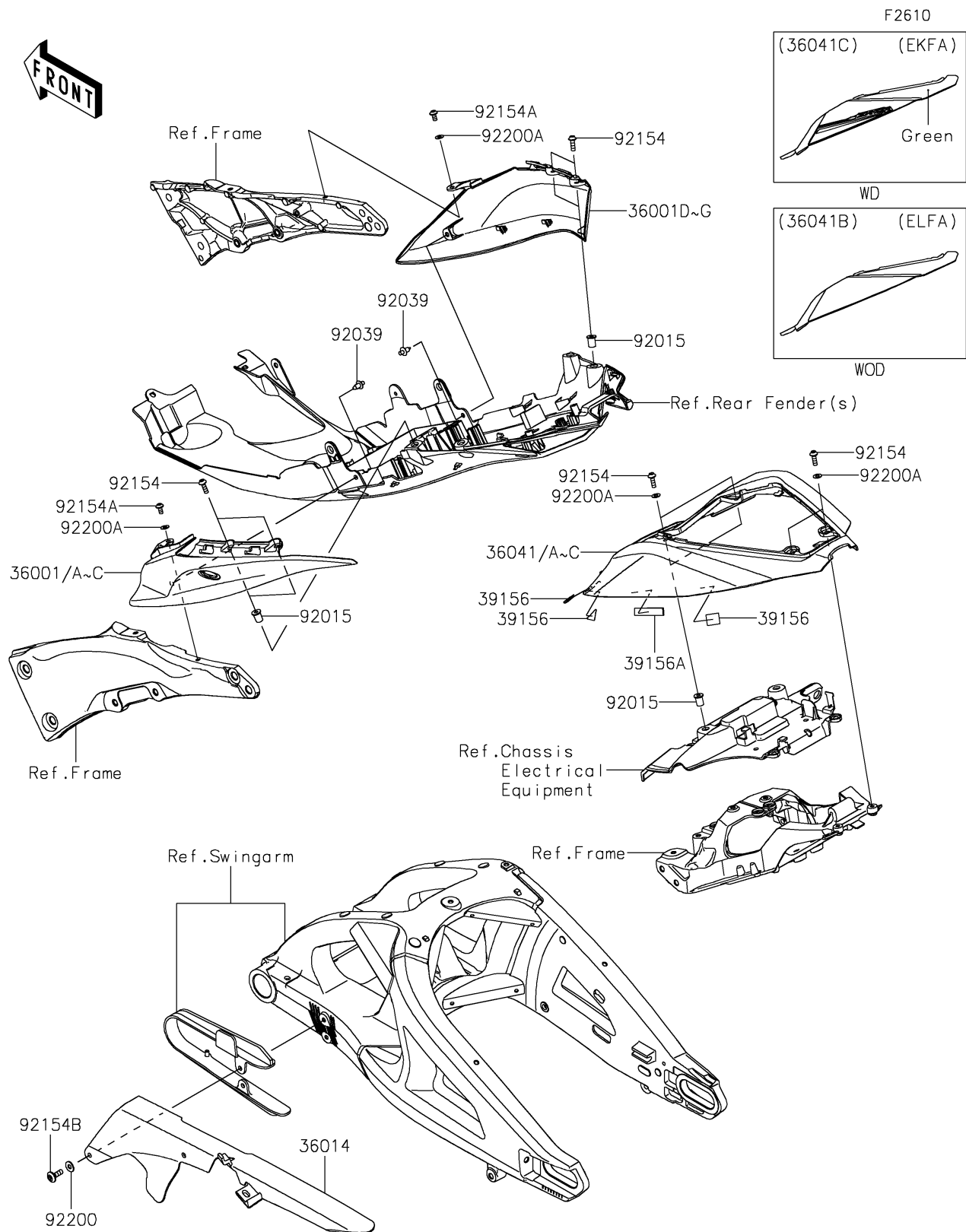


## 2020 NINJA® ZX™-10R ABS PARTS DIAGRAM

Side Covers/Chain Cover



## 2020 NINJA® ZX™-10R ABS PARTS LIST

Side Covers/Chain Cover

ITEM NAME	PART NUMBER	QUANTITY
COVER-SIDE, TAIL, LH, M.S. BLACK (Ref # 36001B)	36001-0640-660	1
COVER-SIDE, TAIL, RH, M.S. BLACK (Ref # 36001F)	36001-0641-660	1
CASE-CHAIN (Ref # 36014)	36014-0062	1
COVER-TAIL, M.S. BLACK (Ref # 36041A)	36041-0024-660	1
PAD, 15X20X0.2 (Ref # 39156)	39156-1784	1
PAD, 10X50X2 (Ref # 39156A)	39156-1924	1
NUT, WELL, 5MM (Ref # 92015)	92015-1757	1
RIVET (Ref # 92039)	92039-0068	1
BOLT, SOCKET, 5X16 (Ref # 92154)	92154-0209	1
BOLT, SOCKET, 5X10 (Ref # 92154A)	92154-0211	1
BOLT, SOCKET, 6X18 (Ref # 92154B)	92154-1694	1
WASHER, 6.2X15X1.2 (Ref # 92200)	92200-1762	1
WASHER, 5.2X10X1.0 (Ref # 92200A)	92200-1820	1