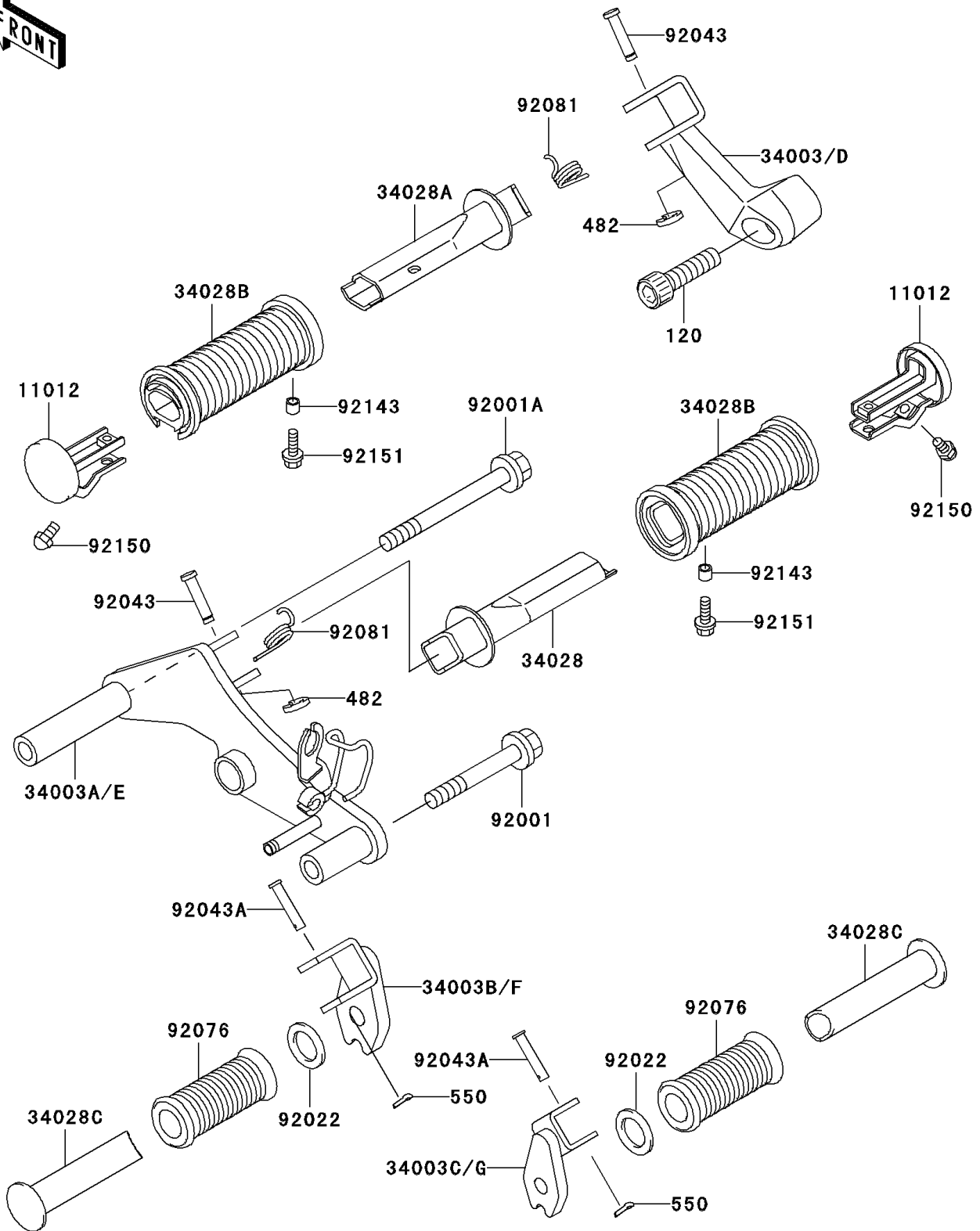


2009 Vulcan® 500 LTD PARTS DIAGRAM

Footrests

F2160



2009 Vulcan® 500 LTD PARTS LIST

Footrests

ITEM NAME	PART NUMBER	QUANTITY
BOLT-SOCKET,12X45 (Ref # 120)	120CB1245	1
CIRCLIP-TYPE-E (Ref # 482)	482EA7000	1
PIN-COTTER,2.0X15 (Ref # 550)	550AA2015	1
CAP,FRONT STEP (Ref # 11012)	11012-1957	1
HOLDER-STEP,FR,LH (Ref # 34003)	34003-0055	1
HOLDER-STEP,FR,RH (Ref # 34003A)	34003-0056	1
HOLDER-STEP,RR,LH (Ref # 34003B)	34003-0057	1
HOLDER-STEP,RR,RH (Ref # 34003C)	34003-0058	1
STEP,FR,RH (Ref # 34028)	34028-1412	1
STEP,FR,LH (Ref # 34028A)	34028-1413	1
STEP,FR,RUBBER (Ref # 34028B)	34028-1414	1
STEP,RR (Ref # 34028C)	34028-1420	1
BOLT,FLANGED,10X70 (Ref # 92001)	92001-1618	1
BOLT,FLANGED,10X105,BLACK (Ref # 92001A)	92001-1751	1
WASHER,20X30X2.3 (Ref # 92022)	92022-1568	1
PIN,8X36.5 (Ref # 92043)	92043-1339	1
PIN,6X28 (Ref # 92043A)	92043-1464	1
DAMPER (Ref # 92076)	92076-020	1
SPRING,STEP (Ref # 92081)	92081-1133	1
COLLAR,5.6X8X7 (Ref # 92143)	92143-1336	1
BOLT,BANK SENSOR (Ref # 92150)	92150-1114	1
BOLT,SOCKET,5X20 (Ref # 92151)	92151-1096	1